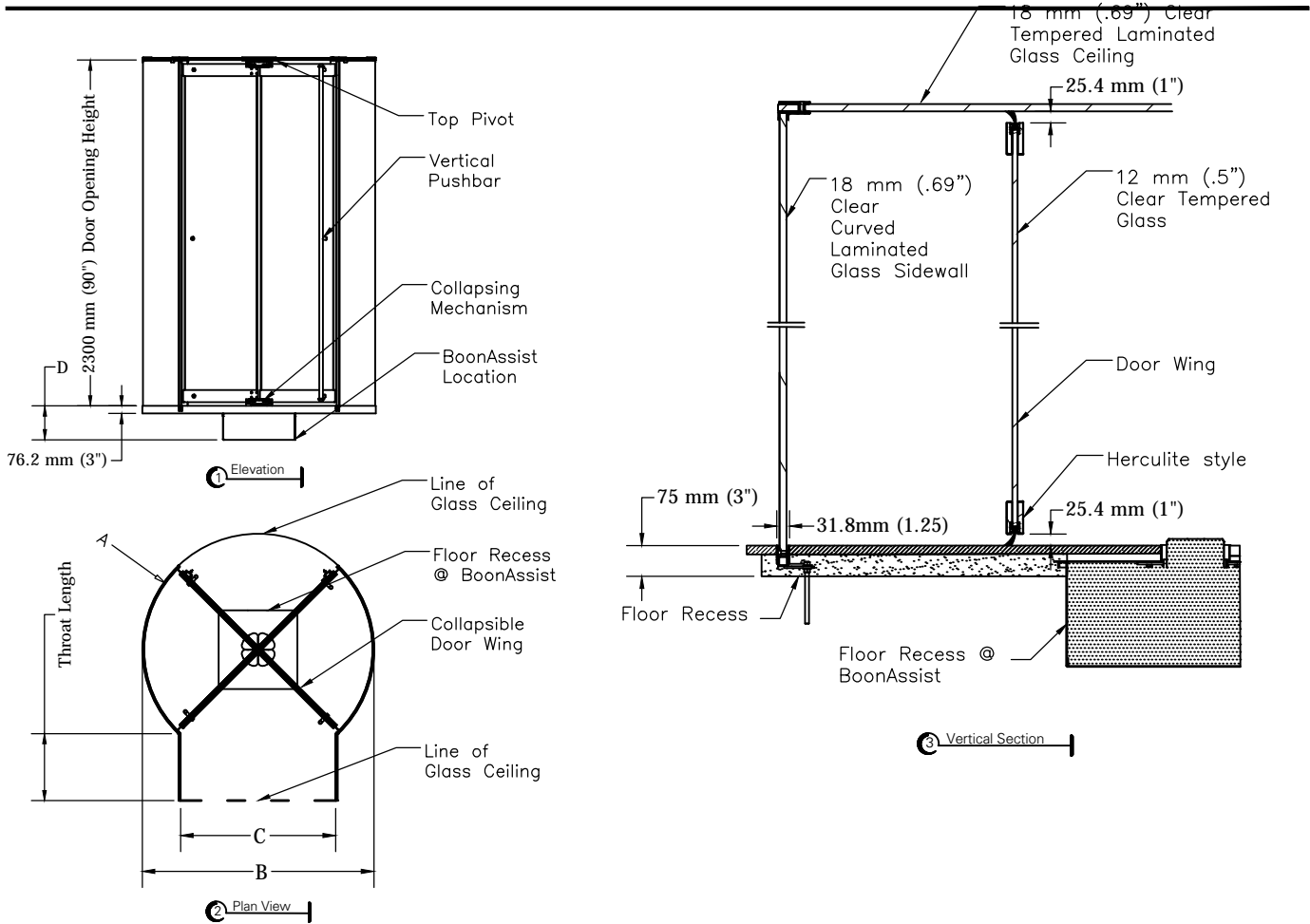


402 McKinney Parkway, Lillington, NC 27546 Tel: (910) 814-8100 Fax: (910) 814-3899 <http://www.boonedam.us>



Standard Door Sizes

Inside Diameter "A"	Outside Netframe "B"	Throat Opening "C"
1981.2mm [78"]	2032mm [80"]	1362.2mm [53.63"]
2133.6mm [84"]	2184.4mm [86"]	1466.9mm [57.75"]
2286mm [90"]	2336.8mm [92"]	1571.8mm [61.88"]
2438.4mm [96"]	2489.2mm [98"]	1676.4mm [66"]
2590.8mm [102"]	2641.6mm [104"]	1781mm [70.12"]
2743.2mm [108"]	2794mm [110"]	1885.7mm [74.24"]
2895.6mm [114"]	2946.4mm [116"]	1990.3mm [78.36"]
3048mm [120"]	3098.8mm [122"]	2095mm [82.48"]

Options:

- Extended Door Heights 2000 - 3000 mm [84-120"]
- Throat Length 20-36" (Contact Factory)
- 1 Piece Ceiling for 2000 diameter (84")
- 1 Piece Sidewall for 2000 - 3000 (84-120") (Contact Factory)
- D - 280 mm (11") recessed for flush mount BoonAssist
- D - 312 mm (12.31") recessed for under floor mount Boon Assist

Installation:

Door Installed Recessed in Floor
 Floor Must Be Dead Level.
 Door Ties to Adjacent Storefront or Curtain-wall System for Lateral Stability.
 Adjacent Construction Not to Bear Down on any Part of Revolving Door.