

GENERAL NOTES:
 UNIT INSTALLS ON FINISH FLOOR. UNDERGROUND WIRING CONDUIT REQUIRED. OPTIONAL PLATFORM AVAILABLE. FLOOR MUST BE DEAD LEVEL.

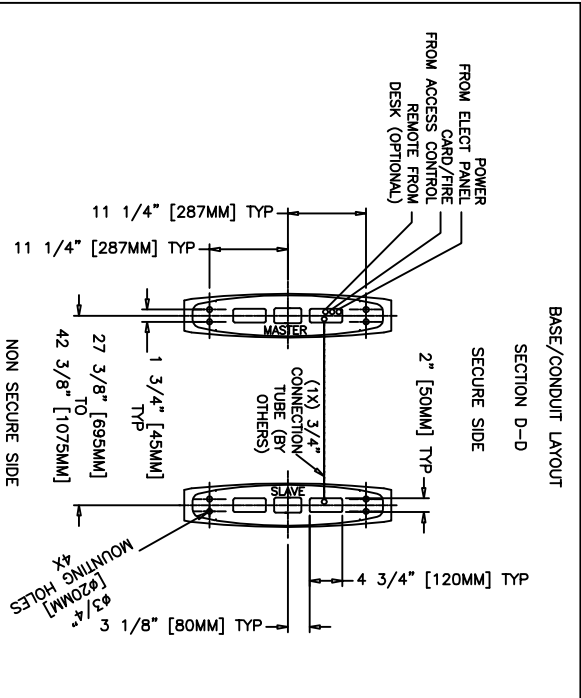
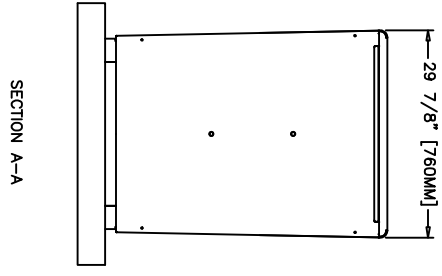
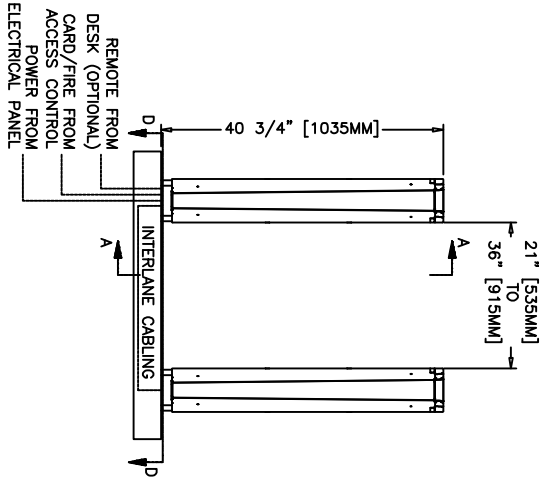
UNIT IS FREE STANDING - NO VERTICAL STRUCTURAL SUPPORT REQUIRED.

ELECTRICAL NOTES:
 POWER SERVICE REQUIRED:
 110VAC OR 220VAC (1) PHASE 60HZ, 15A, NEUTRAL, GROUND.

AUTHORIZATION REQUIRES DRY CONTACT FROM ACCESS CONTROL.

ALL CONDUIT BY OTHERS.

- CODED NOTES:**
1. CABINET - #4 STAINLESS STEEL. ALTERNATE P.C. COLORS AVAILABLE
 2. TOP - BLACK TEMPERED GLASS
 3. AUTHORIZATION LIGHT / CARD READER LOCATION
 MAX CARD READER SIZE:
 2.16"W X 5.11"L X 2.0"H OR METRIC [55mm]W X [130mm]L X [51mm]H
 4. FRONT COVER - BLACK TEMPERED GLASS



SPEEDLANE OPEN: 1 LANE - STD THRU ADA

Project: -
 Job #: -
 Rev: B
 Rev Date: 11/21/16

Customer:
 Contractor:
 Architect:

By: AA

1 OF 1
 NTS