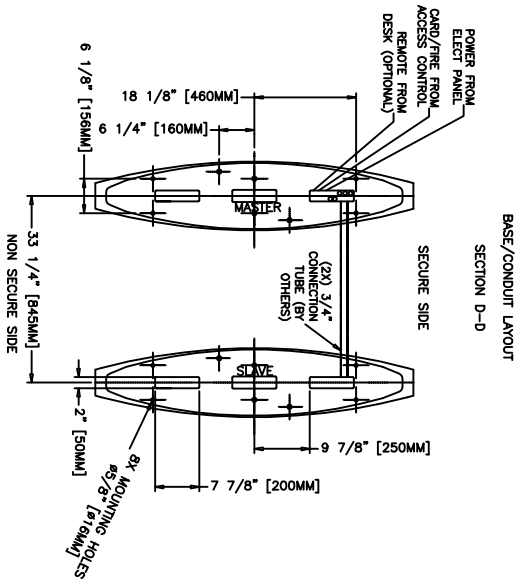
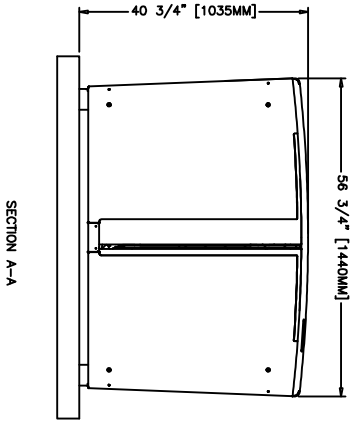
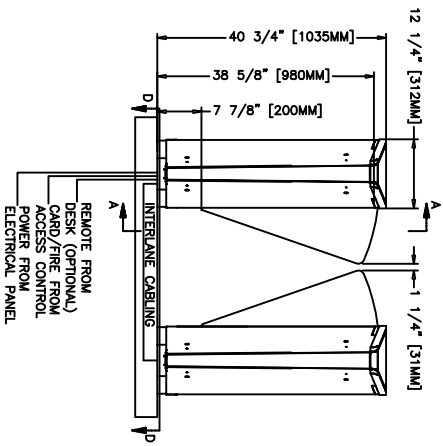


- GENERAL NOTES:**
 UNIT INSTALLS ON FINISH FLOOR. UNDERGROUND WIRING CONDUIT REQUIRED. OPTIONAL PLATFORM AVAILABLE. FLOOR MUST BE DEAD LEVEL. UNIT IS FREE STANDING - NO VERTICAL STRUCTURAL SUPPORT REQUIRED.
- ELECTRICAL NOTES:**
 POWER SERVICE REQUIRED: 110VAC OR 220VAC (1) PHASE 60HZ, 15A, NEUTRAL, GROUND. AUTHORIZATION REQUIRES DRY CONTACT FROM ACCESS CONTROL.
- ALL CONDUIT BY OTHERS.
- CODED NOTES:**
 1. CABINET - #4 STAINLESS STEEL; ALTERNATE P.C. COLORS AVAILABLE
 2. TOP - BLACK TEMPERED GLASS
 3. AUTHORIZATION LIGHT / CARD READER LOCATION
 MAX CARD READER SIZE: 3.15"W X 5.11"L X 2.0"H OR METRIC [80mm]W X [130mm]L X [51mm]H
 4. FRONT COVER - BLACK TEMPERED GLASS
 5. CLEAR TEMPERED GLASS BARRIER



SPEEDLANE SLIDE-ANGEL: 1 LANE - 1 STD

Project: _____
 Job #: _____
 Rev: B
 Rev Date: 11/21/16

Customer: _____
 Contractor: _____
 Architect: _____

By: AA

Dwg #:

BOON EDAM

402 McKinney PKWY, Lillington, NC 27546 - (910) 814-3800 ©BOON EDAM

1 of 1
 NTS