

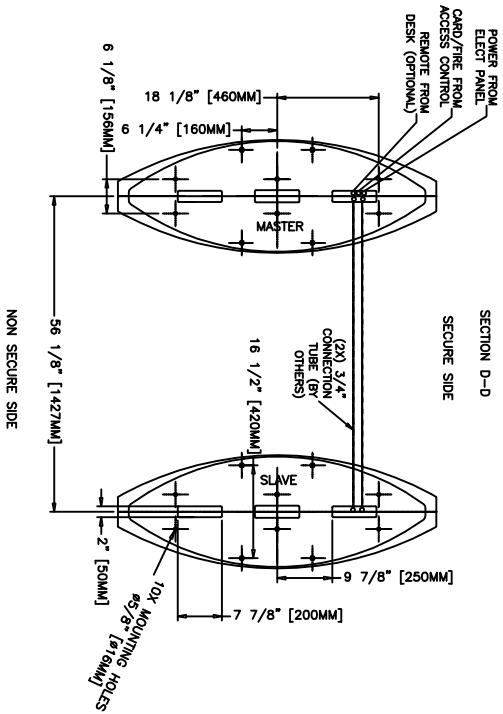
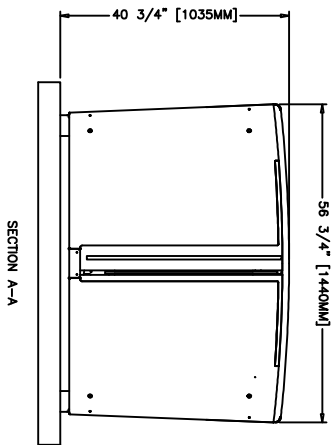
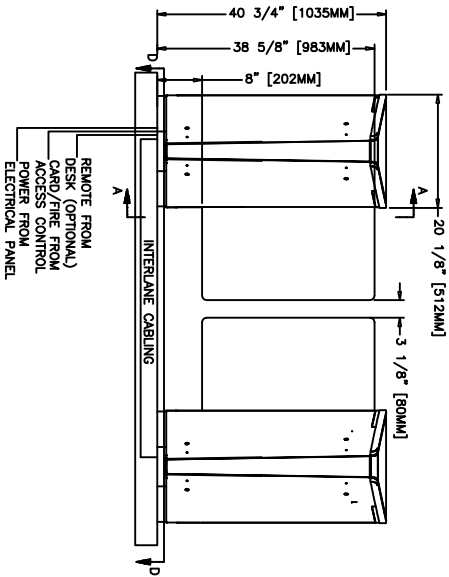
GENERAL NOTES:
 UNIT INSTALLS ON FINISH FLOOR. UNDERGROUND WIRING CONDUIT REQUIRED. OPTIONAL PLATFORM AVAILABLE. FLOOR MUST BE DEAD LEVEL. UNIT IS FREE STANDING - NO VERTICAL STRUCTURAL SUPPORT REQUIRED.

ELECTRICAL NOTES:
 POWER SERVICE REQUIRED: 110VAC OR 220VAC (1) PHASE 60HZ, 15A, NEUTRAL, GROUND. AUTHORIZATION REQUIRES DRY CONTACT FROM ACCESS CONTROL.

ALL CONDUIT BY OTHERS.

CODED NOTES:

- 1. CABINET - #4 STAINLESS STEEL. ALTERNATE P.C. COLORS AVAILABLE
- 2. TOP - BLACK TEMPERED GLASS
- 3. AUTHORIZATION LIGHT / CARD READER LOCATION
- MAX CARD READER SIZE: 3.15" W X 5.17" L X 2.0" H OR METRIC [80mm] W X [130mm] L X [51mm] H
- 4. FRONT COVER - BLACK TEMPERED GLASS
- 5. CLEAR TEMPERED GLASS BARRIER



SPEEDLANE SLIDE WIDE: 1 LANE - 1 ADA

Project: _____
 Job #: _____
 Rev: B
 Rev Date: 11/21/16
 By: AA
 Contractor: _____
 Architect: _____

Dwg #: