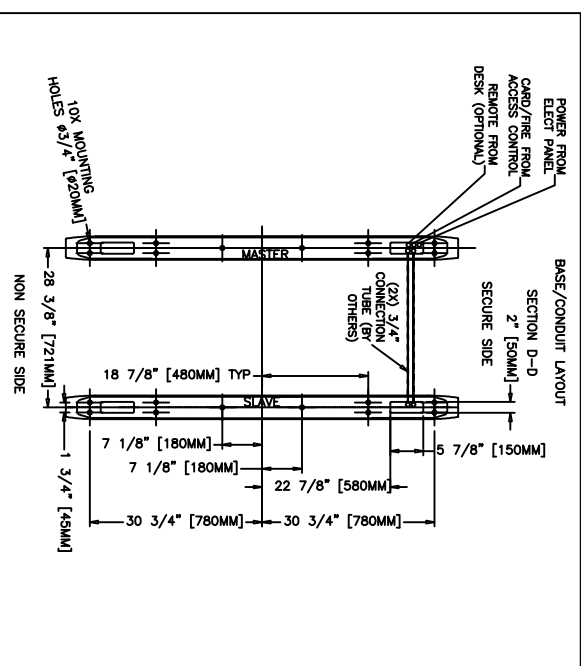
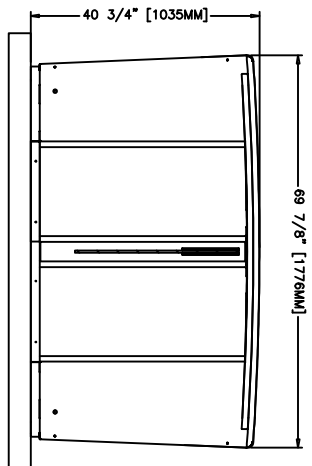
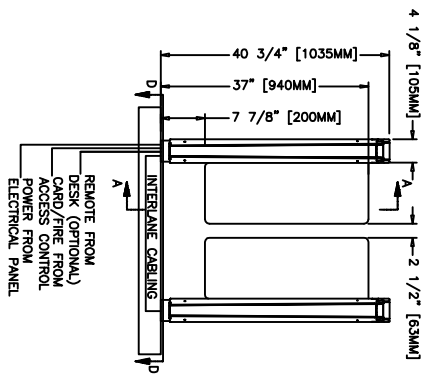
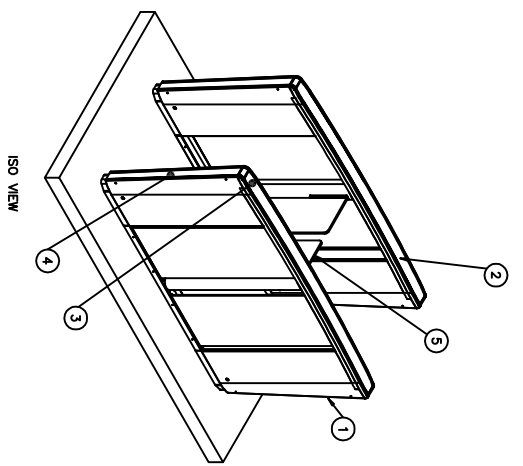
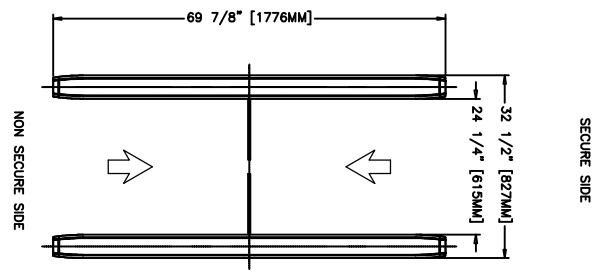


A B C D

6 5 4 3 2 1



- GENERAL NOTES:**
- UNIT INSTALLS ON FINISH FLOOR. UNDERGROUND WIRING CONDUIT REQUIRED.
  - OPTIONAL PLATFORM AVAILABLE.
  - FLOOR MUST BE DEAD LEVEL.
  - UNIT IS FREE STANDING - NO VERTICAL STRUCTURAL SUPPORT REQUIRED.
- ELECTRICAL NOTES:**
- POWER SERVICE REQUIRED: 110VAC OR 220VAC (1) PHASE 60HZ, 15A, NEUTRAL, GROUND.
  - AUTHORIZATION REQUIRES DRY CONTACT FROM ACCESS CONTROL.
  - ALL CONDUIT BY OTHERS.
- CODED NOTES:**
- CABINET - #4 STAINLESS STEEL; ALTERNATE P.C. COLORS AVAILABLE
  - TOP - BLACK TEMPERED GLASS
  - AUTHORIZATION LIGHT / CARD READER LOCATION
  - MAX CARD READER SIZE: 2.16"W X 5.11"H X 2.07" OR METRIC [55mm]W X [130mm]L X [51mm]H
  - FRONT COVER - BLACK TEMPERED GLASS
  - CLEAR TEMPERED GLASS BARRIER