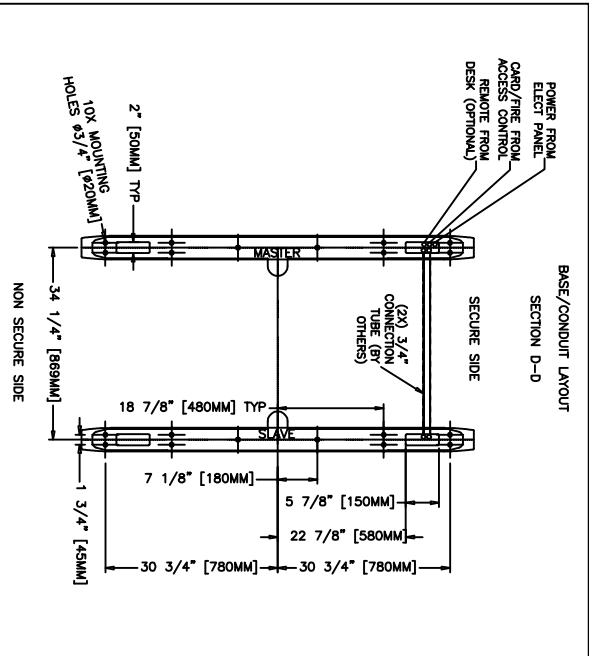
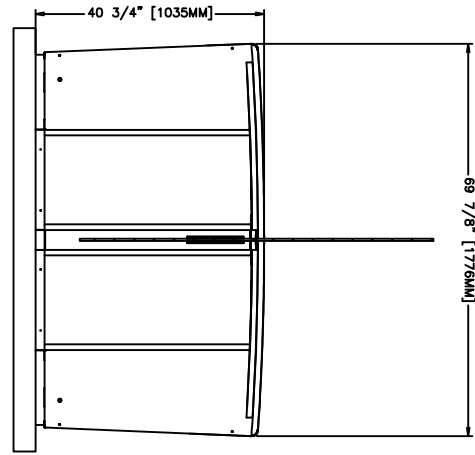
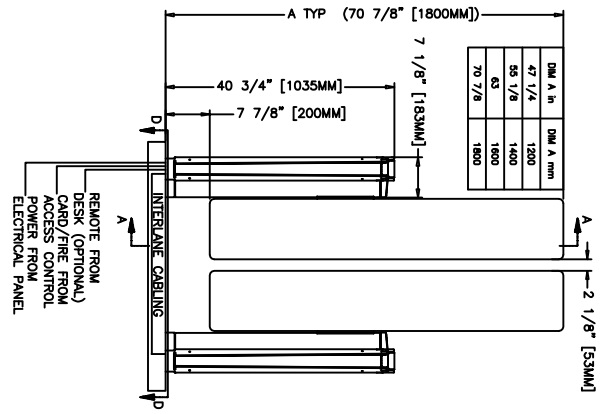


- GENERAL NOTES:**  
 UNIT INSTALLS ON FINISH FLOOR. UNDERGROUND WIRING CONDUIT REQUIRED. OPTIONAL PLATFORM AVAILABLE. FLOOR MUST BE DEAD LEVEL. UNIT IS FREE STANDING - NO VERTICAL STRUCTURAL SUPPORT REQUIRED.
- ELECTRICAL NOTES:**  
 POWER SERVICE REQUIRED: 110VAC OR 220VAC (1) PHASE 60HZ, 15A, NEUTRAL, GROUND. AUTHORIZATION REQUIRES DRY CONTACT FROM ACCESS CONTROL.
- ALL CONDUIT BY OTHERS.
- CODED NOTES:**  
 1. CABINET - #4 STAINLESS STEEL; ALTERNATE P.C. COLORS AVAILABLE  
 2. TOP - BLACK TEMPERED GLASS  
 3. AUTHORIZATION LIGHT / CARD READER LOCATION  
 MAX CARD READER SIZE: 2.16"W X 5.11"H OR METRIC [55mm]W X [130mm]H  
 4. FRONT COVER - BLACK TEMPERED GLASS  
 5. CLEAR TEMPERED GLASS BARRIER

DLM A in.	DLM A mm
47 1/4	1200
55 1/8	1400
63	1600
70 7/8	1800



**SPEEDLANE SWING TALL : 1 LANE - 1 STD TALL**

Project: \_\_\_\_\_ Dwg #: \_\_\_\_\_  
 Job #: \_\_\_\_\_ Customer: \_\_\_\_\_  
 Rev: B Architect: \_\_\_\_\_  
 Rev Date: 11/21/16 By: AA

**BOON EDAM**  
 402 McKinney PKWY, Lillington, NC 27546 (910) 814-3800 ©BOON EDAM