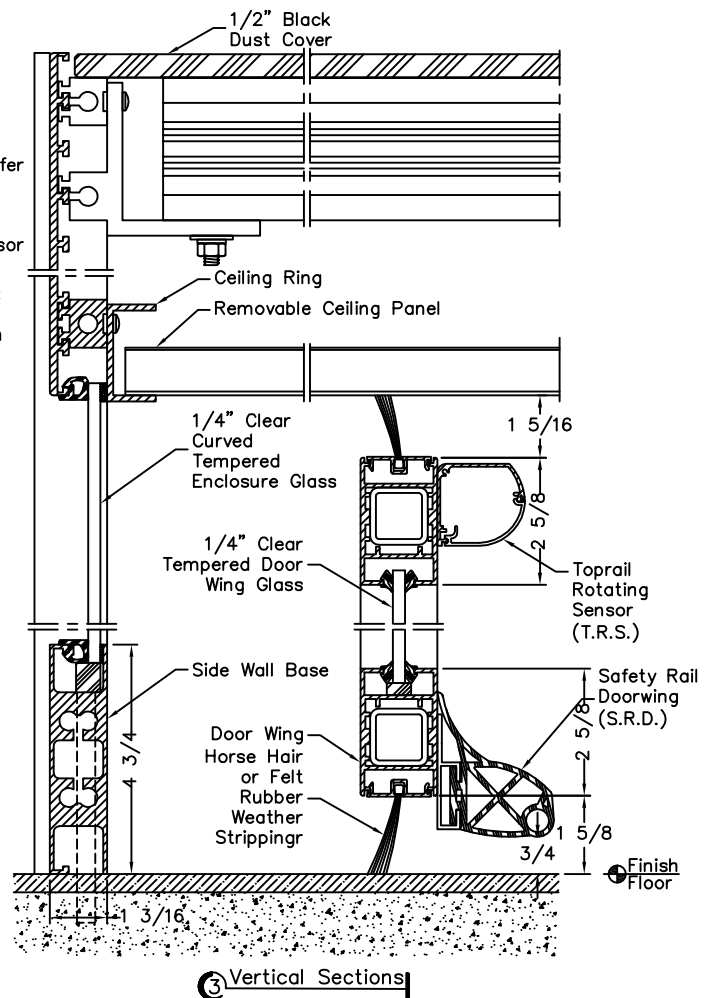
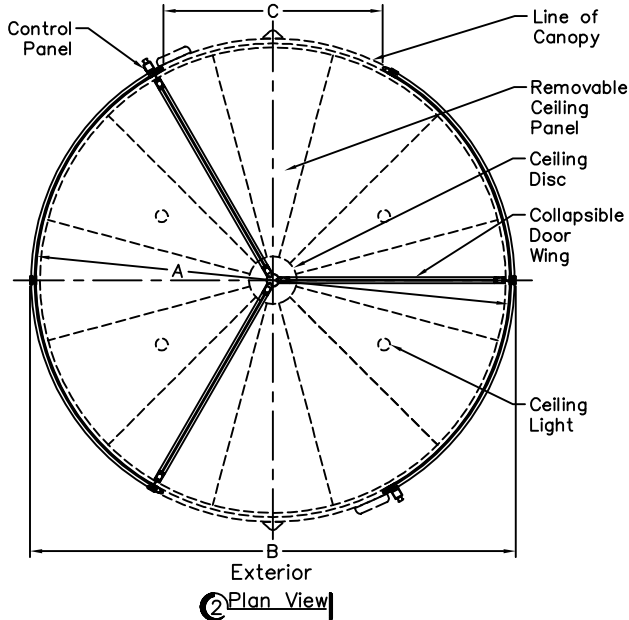
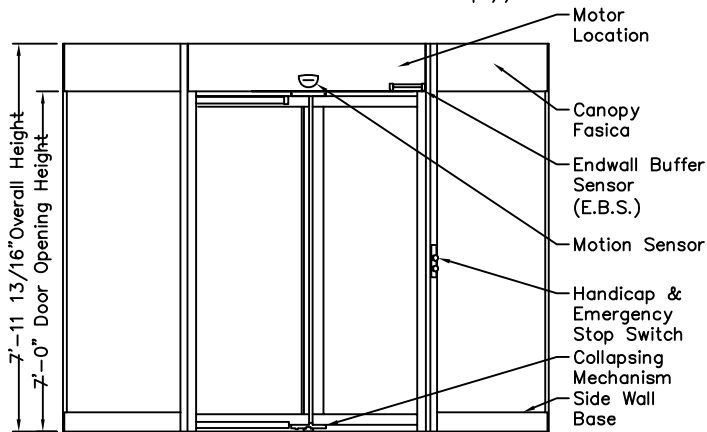


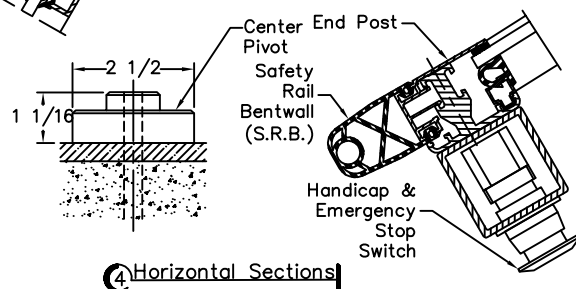
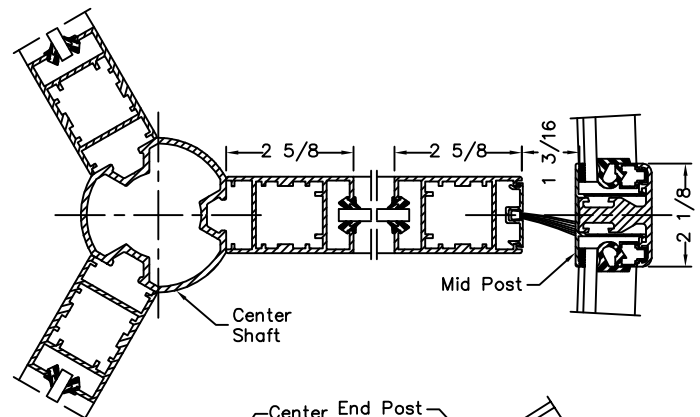
402 McKinney Parkway, Lillington, NC 27546 Tel: (910) 814-8100 Fax: (910) 814-3899

<http://www.boonedam.us>



Standard Door Sizes

Inside Diameter "A"	Outside Net Frame "B"	Throat Opening "C"
9'-9"	10'-0"	4'-6 3/16"
11'-9"	12'-0"	5'-6 1/8"



Options:

- Extended Door Heights (Contact Factory)
- Extended Canopy Heights (Contact Factory)
- 2 Point Lock
- Medium Style Door Wing
- One Piece Sidewall Glass
- Horse Hair or Felt Rubber Weather Stripping

Installation:

Door Installs on Finish Floor (No recess, rings, or cutouts required).  
Floor Must Be Dead Level.  
Power Supply from Above.  
Door Ties to Adjacent Storefront or Curtain-Wall System for Lateral Stability.  
Adjacent Construction Not to Bear Down on Any Part of Revolving Door.