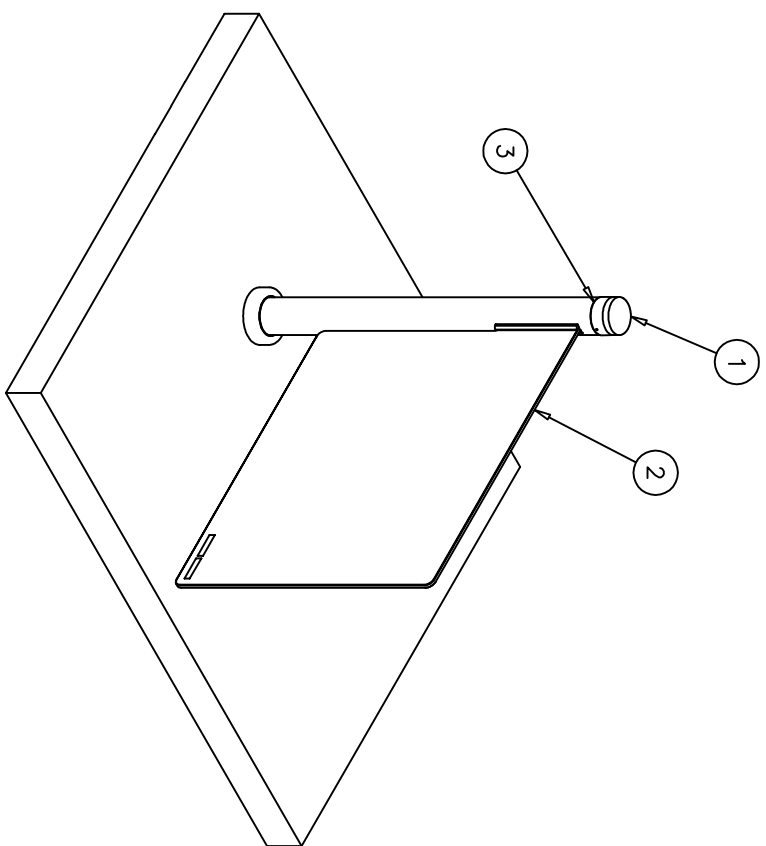


NON SECURE SIDE



ISO VIEW

GENERAL NOTES :
 UNIT INSTALLS ON FINISH FLOOR. UNDERGROUND WIRING CONDUIT REQUIRED. OPTIONAL PLATFORM AVAILABLE. FLOOR MUST BE DEAD LEVEL.

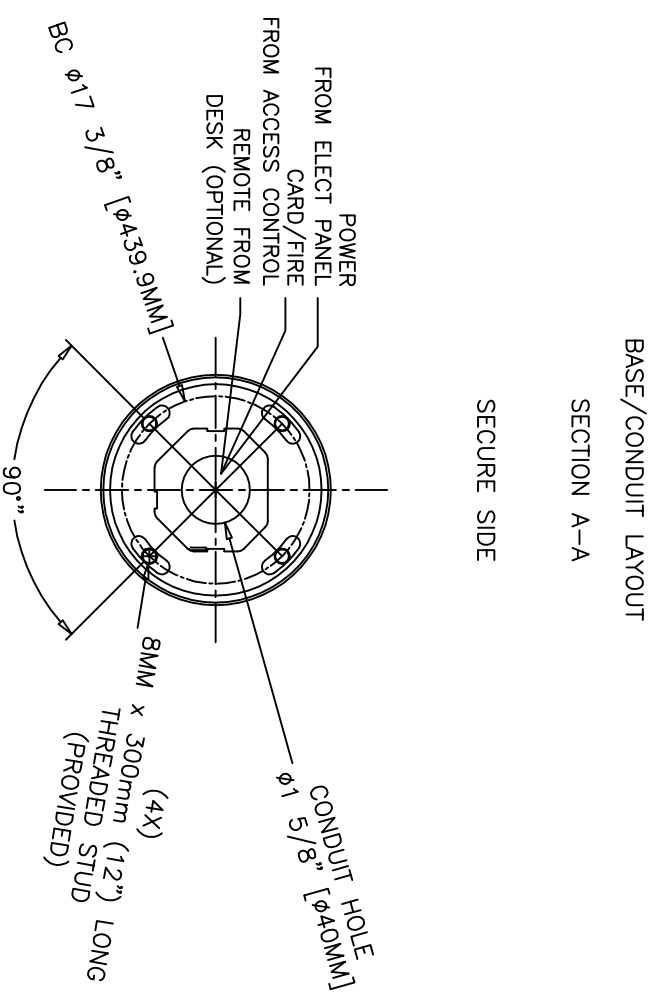
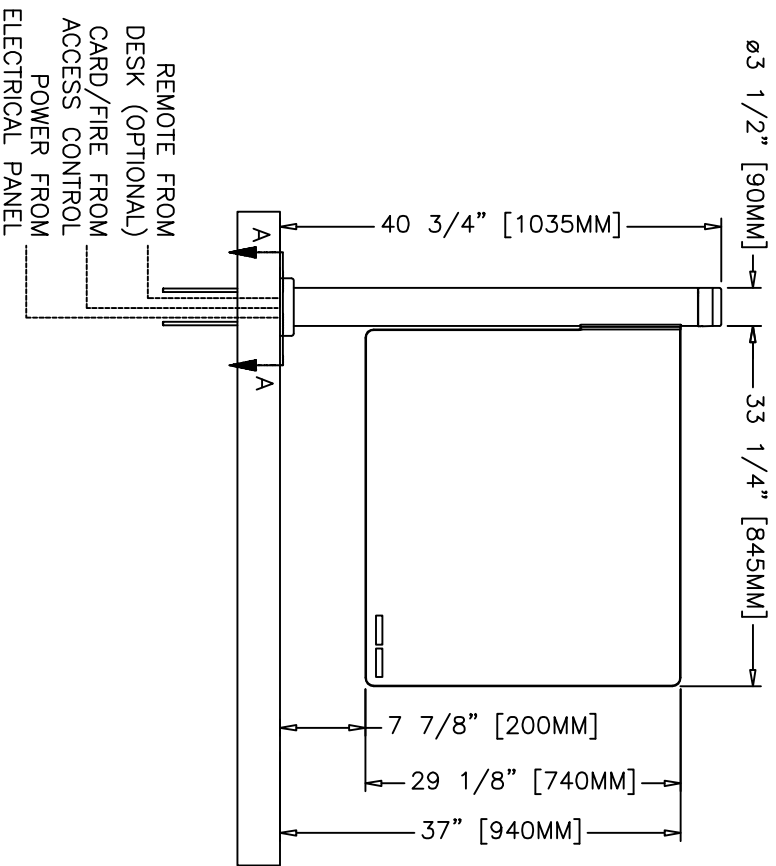
UNIT IS FREE STANDING – NO VERTICAL STRUCTURAL SUPPORT REQUIRED.

ELECTRICAL NOTES :
 POWER SERVICE REQUIRED:
 110VAC OR 220VAC (1) PHASE 60HZ, 15A, NEUTRAL, GROUND.

AUTHORIZATION REQUIRES DRY CONTACT FROM ACCESS CONTROL.

ALL CONDUIT BY OTHERS.

CODED NOTES :
 1. POST – #4 STAINLESS STEEL; ALTERNATE P.C. COLORS AVAILABLE
 2. TEMPERED GLASS – 10MM THICK
 3. STATUS LIGHT



BASE/CONDUIT LAYOUT

SECTION A-A

SECURE SIDE

NON SECURE SIDE