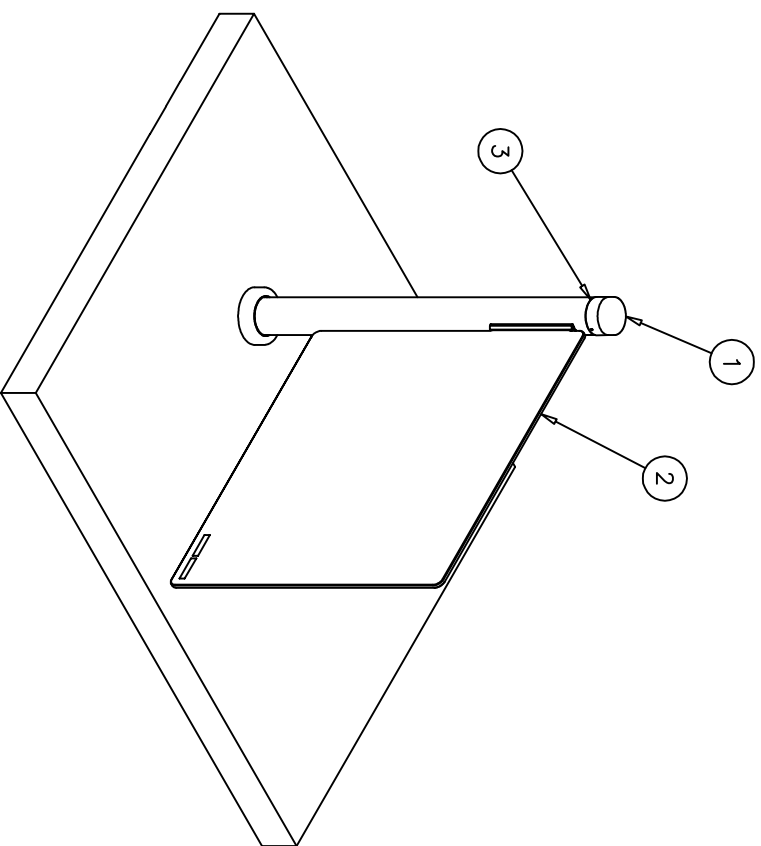


NON SECURE SIDE



GENERAL NOTES :
 UNIT INSTALLS ON FINISH FLOOR. UNDERGROUND WIRING CONDUIT REQUIRED. OPTIONAL PLATFORM AVAILABLE. FLOOR MUST BE DEAD LEVEL.

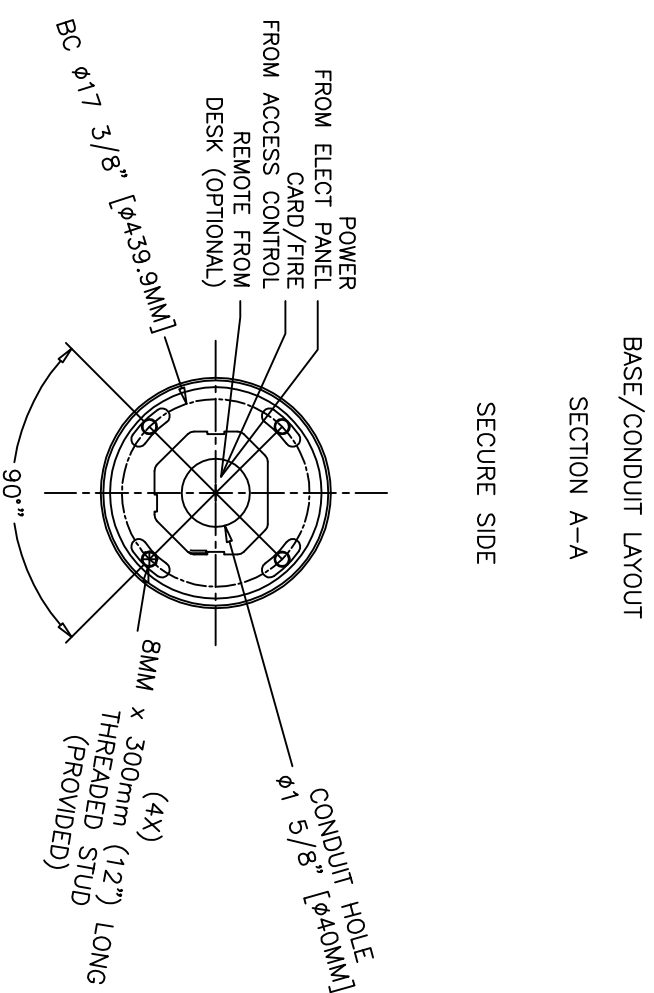
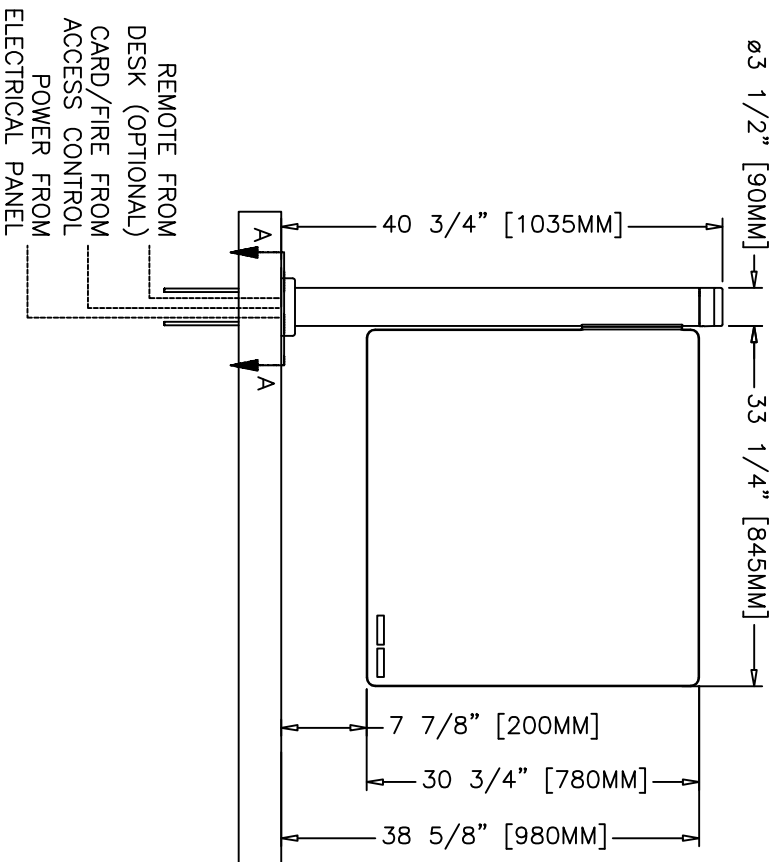
UNIT IS FREE STANDING – NO VERTICAL STRUCTURAL SUPPORT REQUIRED.

ELECTRICAL NOTES :
 POWER SERVICE REQUIRED:
 110VAC OR 220VAC (1) PHASE 60HZ, 15A, NEUTRAL, GROUND.

AUTHORIZATION REQUIRES DRY CONTACT FROM ACCESS CONTROL.

ALL CONDUIT BY OTHERS.

CODED NOTES :
 1. POST – #4 STAINLESS STEEL; ALTERNATE P.C. COLORS AVAILABLE
 2. TEMPERED GLASS – 10MM THICK
 3. STATUS LIGHT



Dwg #:

BOON EDAM

402 McKinney PKWY, Lillington, NC 27546 - (910) 814-3800 © BOON EDAM

WINGLOCK SWING 980: 1 LANE

Project: -
 Job #: -
 Rev: A
 Rev Date: 6/16/16

By: AA

Customer:
 Contractor:
 Architect:

Page: 1 of 1

Scale: NTS

