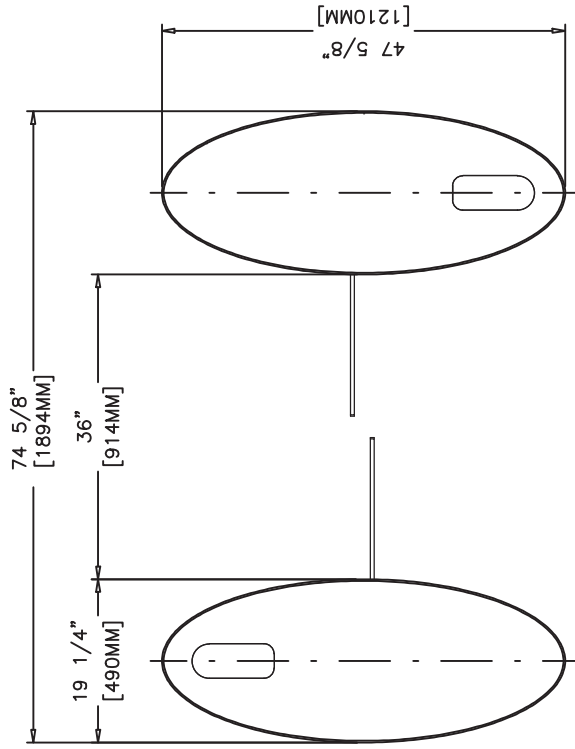
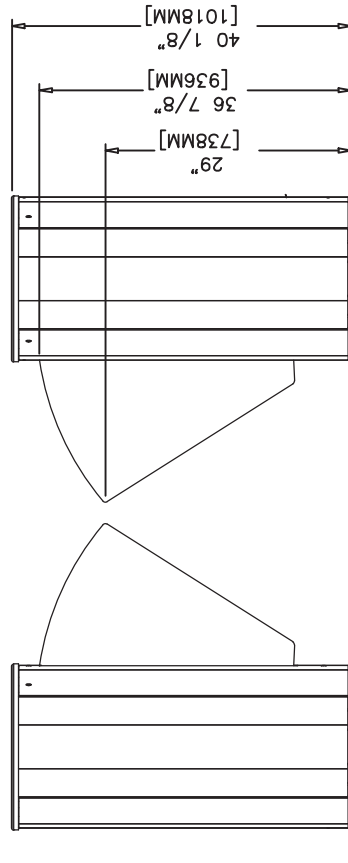


SECURED SIDE
"INSIDE"
EXIT
↓



NON-SECURED SIDE
"OUTSIDE"
ENTRY

1 PLAN VIEW



2 ELEVATION VIEW

REV	SUBMITAL	DESCRIPTION	PAGE	DATE
1			ALL	07/13/12 EM

REVISION LOG

Scale: 3/4" = 1'

SPEEDPLANE LAYOUT

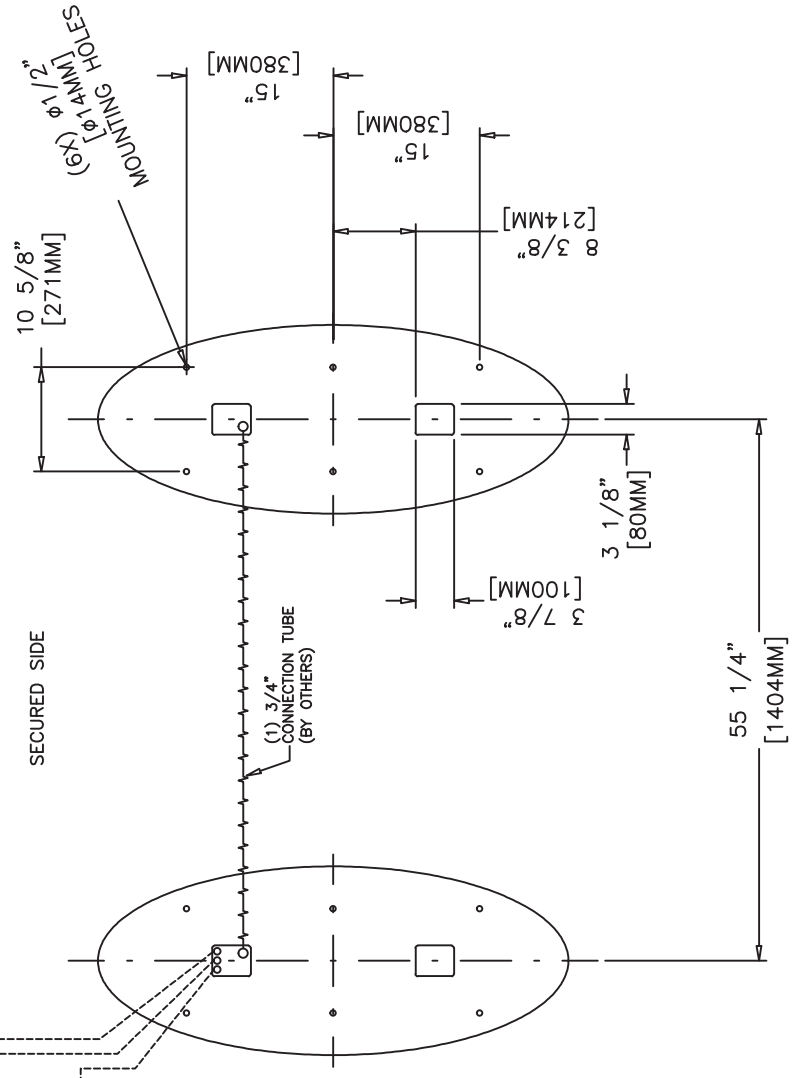
Project: -
Architect: -
Contractor: -
Job #: -
Rev: -
[SL-800W] Date: 07/13/12B



ELECTRICAL NOTES:

POWER SERVICE REQ'D:
110-220VAC (1)PHASE 60HZ, 20A, NEUTRAL, GROUND
ALL CONDUIT BY OTHERS

POWER FROM ELECT PANEL
CARD/FIRE FROM ACCESS CONTROL
REMOTE FROM DESK (OPTIONAL)



NON-SECURED SIDE

REV	SUBMITTAL	DESCRIPTION	PAGE	DATE
	ALL			07/13/12 EM

REVISION LOG