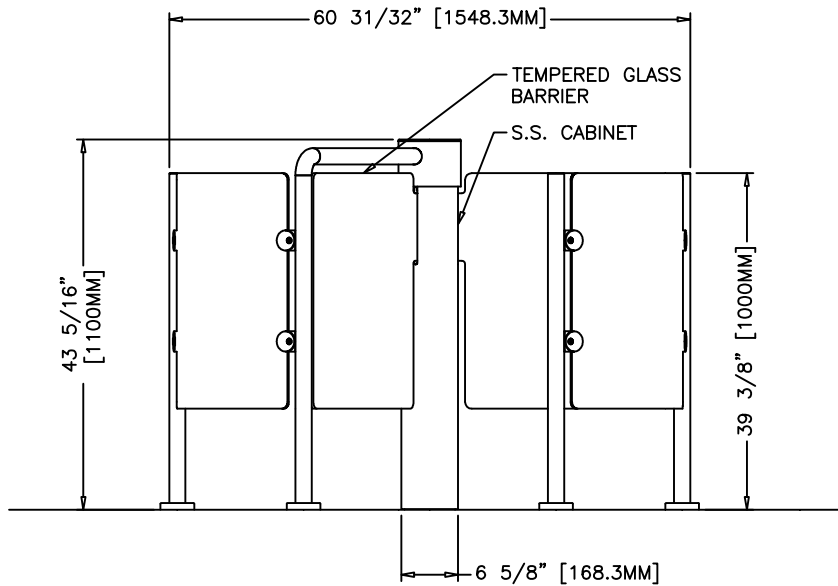


① Plan View



② Front Elevation

Installation:

Turnstile Installs on Finish Floor (Underground wiring conduits required).  
Floor Must be Dead Level.  
Power Supply from Floor.  
Turnstile is Free-standing (No vertical Structural support is Required).