

GENERAL NOTES:

TRILOCK-75ESCA: ONE DIRECTION ELECTRICALLY CONTROLLED
 TRILOCK-75ES2CA: TWO DIRECTIONS ELECTRICALLY CONTROLLED

OPTIONAL PLATFORM AND RAILING AVAILABLE.

ELECTRICAL NOTES:

POWER SERVICE OPTIONS:

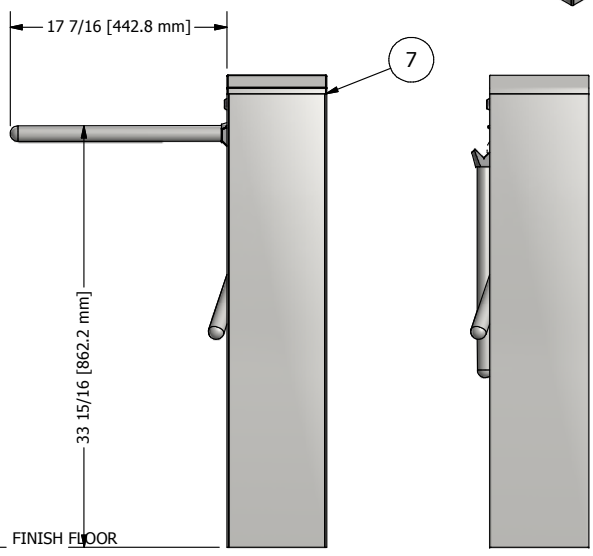
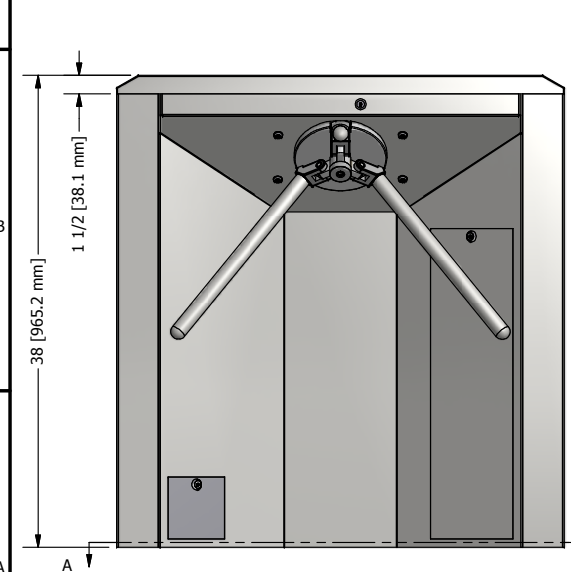
1. 24 VDC
2. 110 VAC SINGLE PHASE
3. 220 VAC SINGLE PHASE 50/60HZ
4. 220 VAC DUAL PHASE 50/60HZ

15A MAINS SERVICE REQ'D

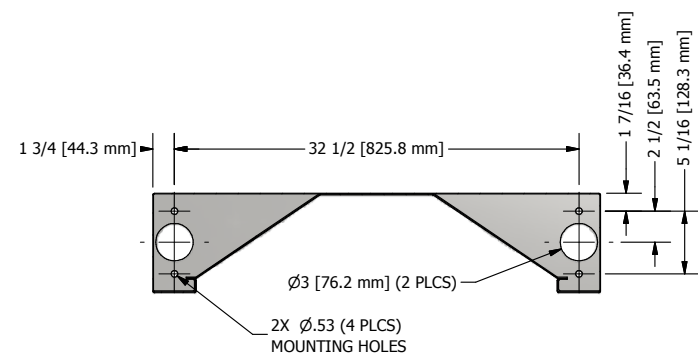
AUTHORIZATION, FIRE ALARM REQUIRES DRY CONTACT FROM ACCESS CONTROL.

CODED NOTES:

1. TOP COVER - STAINLESS STEEL
2. CABINET - STAINLESS STEEL
3. ACCESS DOOR - 304 STAINLESS STEEL
4. ARM - STAINLESS STEEL n1-1/4" 16GA. (3) TYP.
5. COVER LOCK.
6. HUB - POWDERCOATED ALUMINUM.
7. CONCEALD HINGES.



ARM POSITIONS WHEN ARM IS DOWN
 SCALE 1/10



FLOOR PLAN
 SECTION A-A SCALE 1/10

TRILOCK-75ESCA - GRAND PRIX ST. STEEL ELECTRIC TYS, COLLAPSIBLE ARM

Project: _____
 Job #: _____
 Rev: _____
 Rev Date: _____

By: dvr
 Contractor: _____
 Architect: _____

BOON EDAM
 Your Entrance. Our Technology.
 402 McKinney PKWY., Lillington, NC 27546 - (910) 814-3800 © BOON EDAM