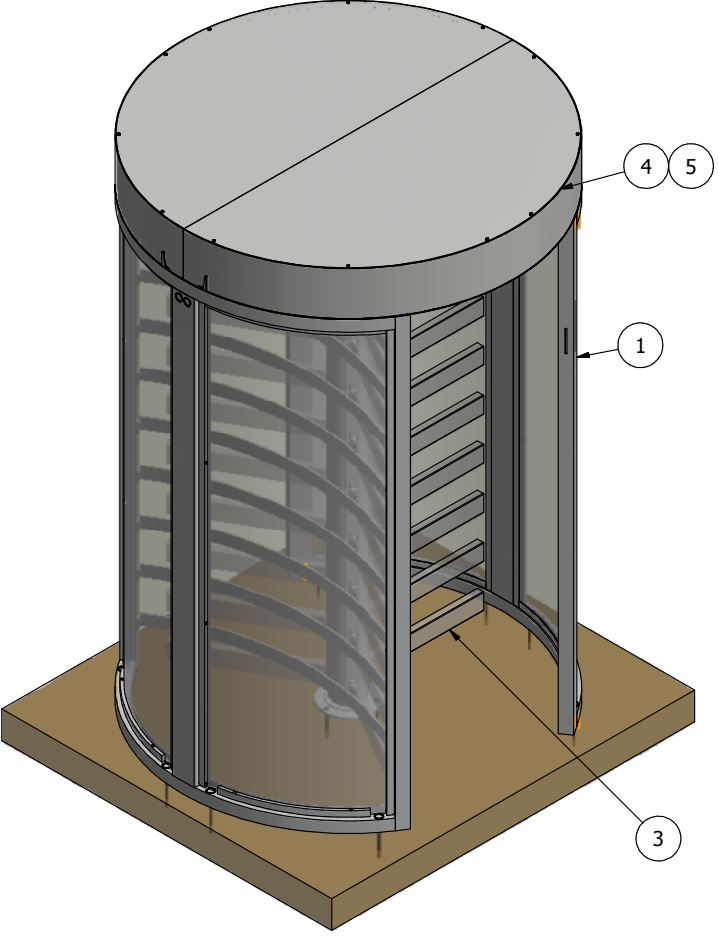


EXTERIOR



**GENERAL NOTES:**

TURNLOCK-200EL = 1 DIRECTION ELECTRICALLY CONTROLLED.  
TURNLOCK-200EL2 = 2 DIRECTIONS ELECTRICALLY CONTROLLED.

MINIMUM PAD SIZE SHOWN. MUST BE LEVEL WITHIN 1/4".

BRACE SHIELD POST AT TOP TO ADJACENT SURFACE.

ALTERNATE COVERS AVAILABLE.

**ELECTRICAL NOTES:**

- POWER SERVICE OPTIONS:
1. 24 VDC
  2. 110 VAC SINGLE PHASE
  3. 220 VAC SINGLE PHASE 50/60HZ
  4. 220 VAC DUAL PHASE 50/60HZ

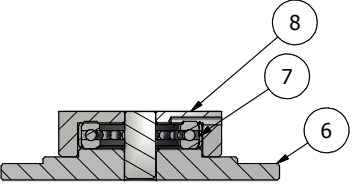
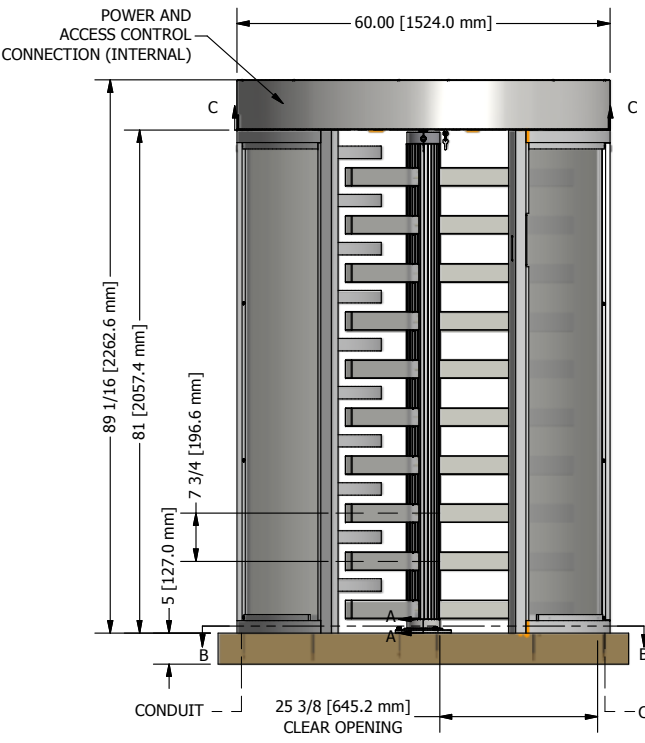
15A MAINS SERVICE REQ'D

4 LOCATIONS AVAILABLE FOR CONDUIT ACCESS.

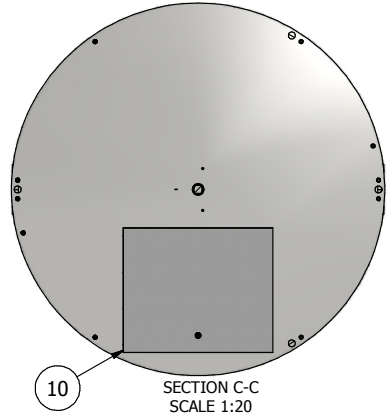
AUTHORIZATION, FIRE ALARM REQUIRES DRY CONTACT FROM ACCESS CONTROL.

**CODED NOTES:**

1. SHIELD ASSEMBLY, WELDED - ANODIZED ALUMINUM WITH LEXAN PANELS
2. BARRIER SHIELD ASSEMBLY, WELDED - ANODIZED ALUMINUM WITH LEXAN PANELS & ANODIZED ALUMINUM BARRIER BARS
3. ROTOR ASSEMBLY (3) - ANODIZED ALUMINUM WITH LEXAN ARMS
4. ROUND CANOPY - STAINLESS STEEL
5. MECHANISM CHANNEL - STAINLESS STEEL
6. BASE PLATE - ANODIZED ALUMINUM
7. BOTTOM BEARING
8. BOTTOM FLANGE
9. ANCHOR BOLTS (11), PROVIDED
10. CANOPY DOOR

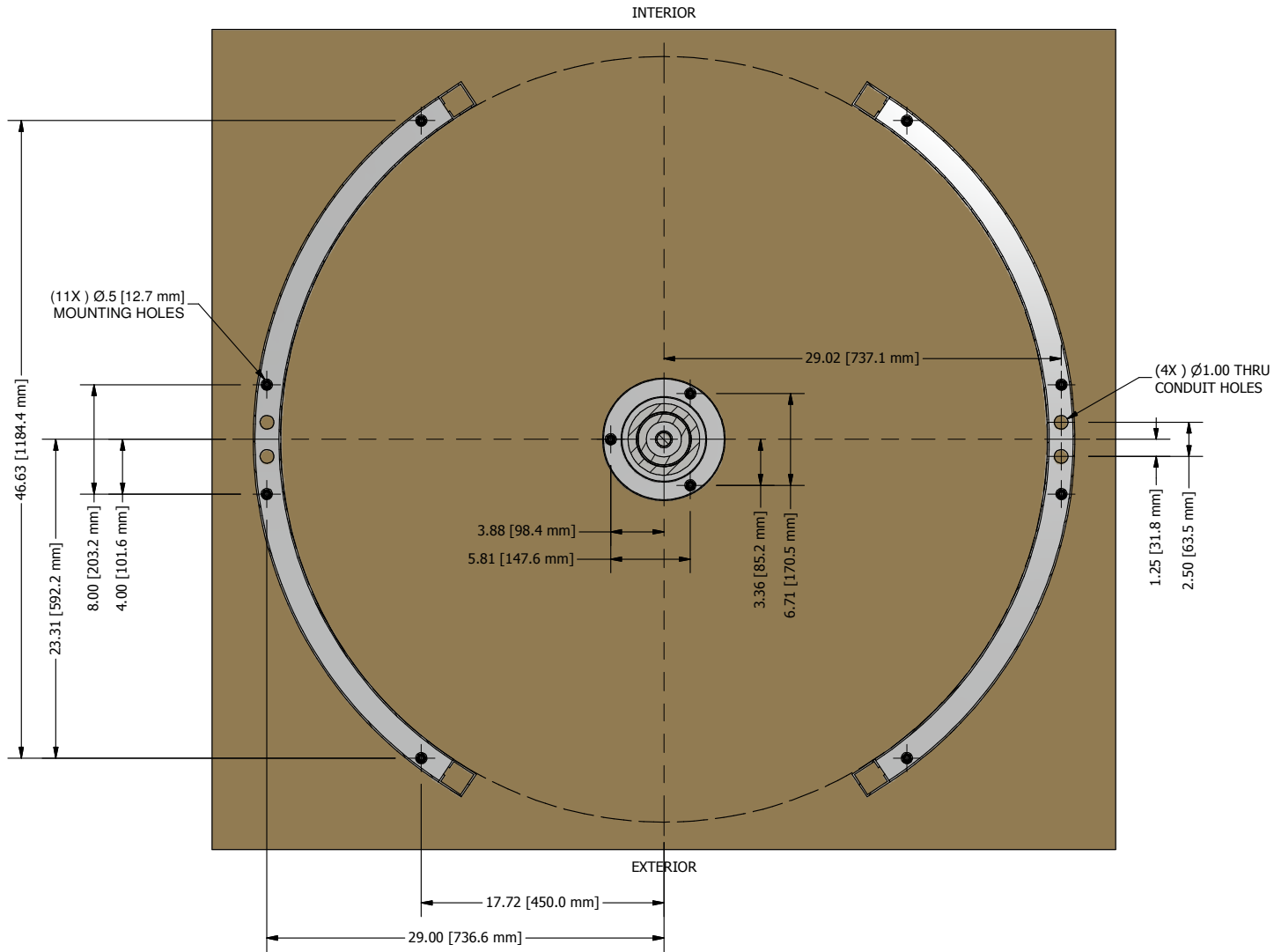


SECTION A-A  
BASE PLATE/BOTTOM BEARING  
SCALE 1:4



SECTION C-C  
SCALE 1:20

TURNLOCK-200EL: FULL HEIGHT SECURITY TURNSTILE (3-ROTOR)



SECTION B-B  
FOOT PRINT  
SCALE 1:8

TURNLOCK-200EL: FULL HEIGHT SECURITY TURNSTILE (3-ROTOR)

Project:   
Job #:   
Rev:   
Rev Date:   
Page:   
2 of 2  
Scale:

By: SFR  
Rev Date: 6/22/2011

Customer:   
Contractor:   
Architect:

**BOON EDAM**  
402 McKinney PKWY., Lillington, NC 27546 - (910) 814-3800 © BOON EDAM