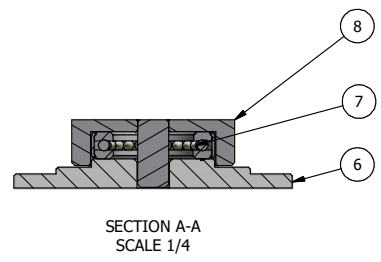
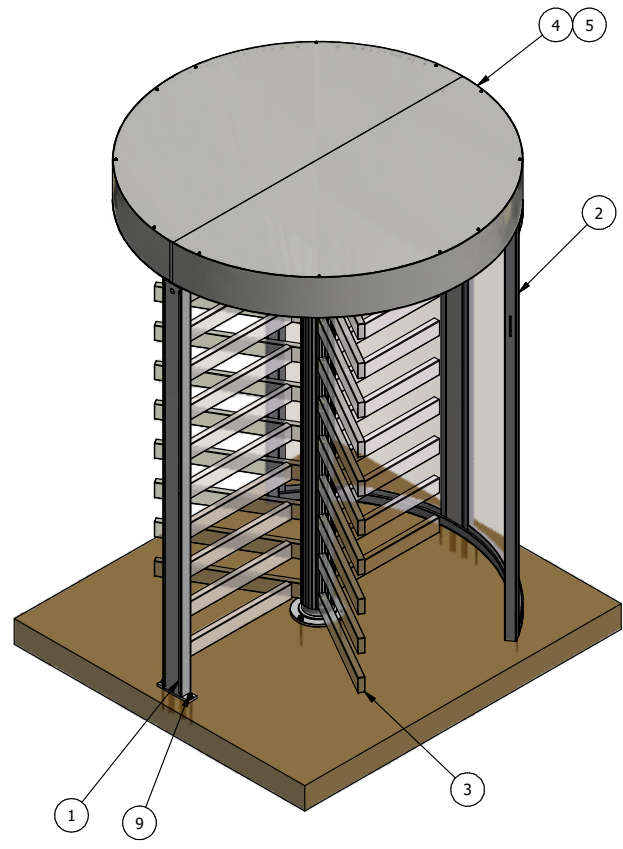
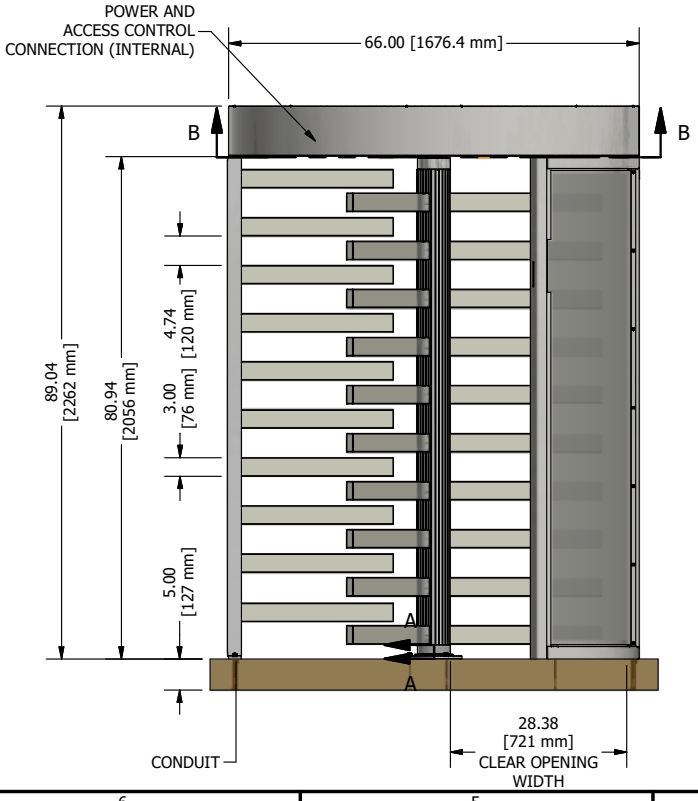
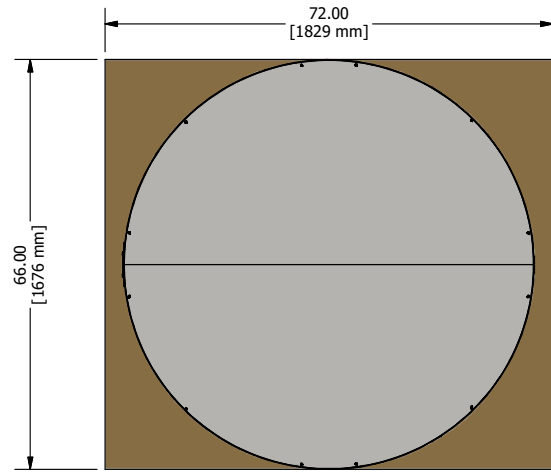


6 5 4 3 2 1



GENERAL NOTES:

TURNLOCK-200EL(66) = 1 DIRECTION ELECTRICALLY CONTROLLED.
 TURNLOCK-200EL2(66) = 2 DIRECTIONS ELECTRICALLY CONTROLLED.

MINIMUM PAD SIZE SHOWN. MUST BE LEVEL WITHIN 1/4".

BRACE BARRIER POST AT TOP TO ADJACENT SURFACE.

ALTERNATE COVERS AVAILABLE.

ELECTRICAL NOTES:

POWER SERVICE OPTIONS:
 1. 24 VDC
 2. 110 VAC SINGLE PHASE
 3. 220 VAC SINGLE PHASE 50/60HZ
 4. 220 VAC DUAL PHASE 50/60HZ

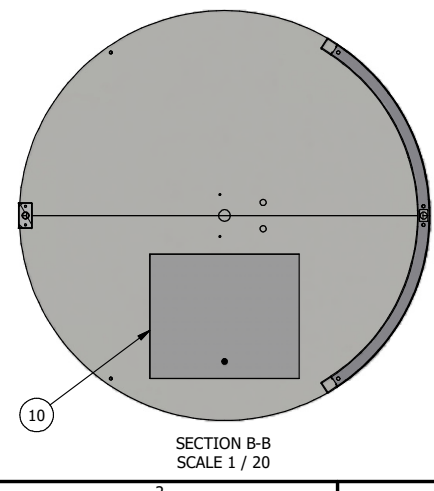
15A MAINS SERVICE REQ'D

4 LOCATIONS AVAILABLE FOR CONDUIT ACCESS.

AUTHORIZATION, FIRE ALARM REQUIRES DRY CONTACT FROM ACCESS CONTROL.

CODED NOTES:

1. BARRIER ASSEMBLY, WELDED - ANODIZED ALUMINUM WITH LEXAN ARMS
2. SHIELD ASSEMBLY, WELDED - ANODIZED ALUMINUM WITH LEXAN PANELS
3. ROTOR ASSEMBLY (3) - ANODIZED ALUMINUM WITH LEXAN ARMS
4. ROUND CANOPY - STAINLESS STEEL
5. MECHANISM CHANNEL - STAINLESS STEEL
6. BASE PLATE - ANODIZED ALUMINUM
7. BOTTOM BEARING
8. BOTTOM FLANGE
9. ANCHOR BOLTS (9), PROVIDED
10. LOCKING CANOPY ACCESS DOOR (SECURE SIDE)



6 5 4 3 2 1

