

**GENERAL NOTES:**

TURNLOCK-200EL = 1 DIRECTION ELECTRICALLY CONTROLLED.  
 TURNLOCK-200EL2 = 2 DIRECTIONS ELECTRICALLY CONTROLLED.

MINIMUM PAD SIZE SHOWN. MUST BE LEVEL WITHIN 1/4".

BRACE BARRIER POST AT TOP TO ADJACENT SURFACE.

**ELECTRICAL NOTES:**

POWER SERVICE OPTIONS:

- 1. 24 VDC
- 2. 110 VAC SINGLE PHASE
- 3. 220 VAC SINGLE PHASE 50/60HZ
- 4. 220 VAC DUAL PHASE 50/60HZ

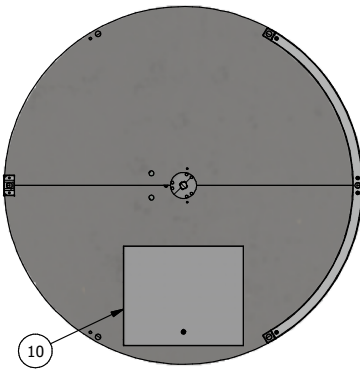
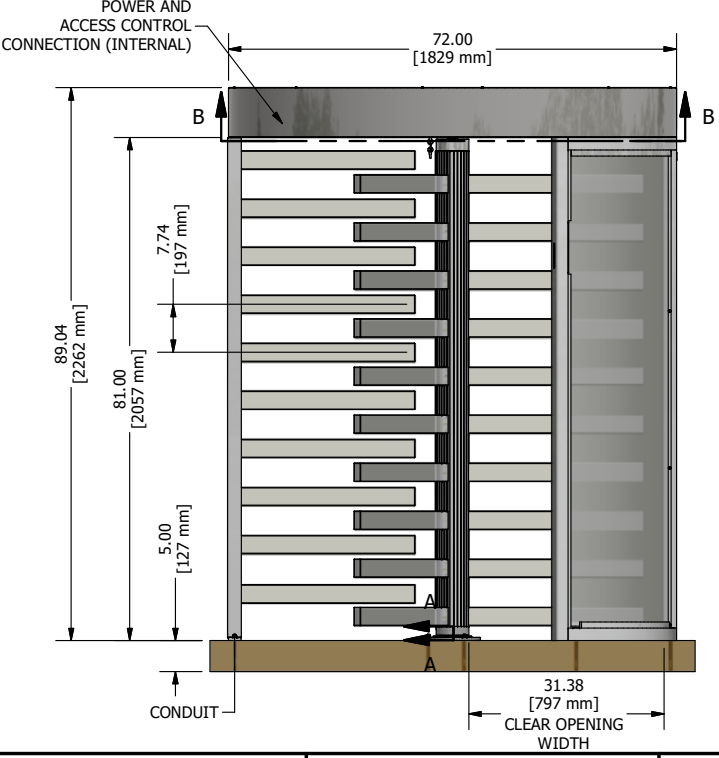
15A MAINS SERVICE REQ'D

4 LOCATIONS AVAILABLE FOR CONDUIT ACCESS.

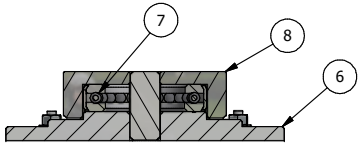
AUTHORIZATION, FIRE ALARM REQUIRES DRY CONTACT FROM ACCESS CONTROL.

**CODED NOTES:**

- 1. BARRIER ASSEMBLY, WELDED - ANODIZED ALUMINUM
- 2. SHIELD ASSEMBLY, WELDED - ANODIZED ALUMINUM WITH LEXAN PANELS
- 3. ROTOR ASSEMBLY (3) - ANODIZED ALUMINUM WITH LEXAN ARMS
- 4. ROUND CANOPY - STAINLESS STEEL
- 5. MECHANISM CHANNEL - STAINLESS STEEL
- 6. BASE PLATE - ANODIZED ALUMINUM
- 7. BOTTOM BEARING
- 8. BOTTOM FLANGE
- 9. ANCHOR BOLTS (9), PROVIDED
- 10. LOCKING CANOPY ACCESS DOOR (SECURE SIDE)



SECTION B-B  
SCALE 1 / 25



SECTION A-A  
SCALE 1 / 4

