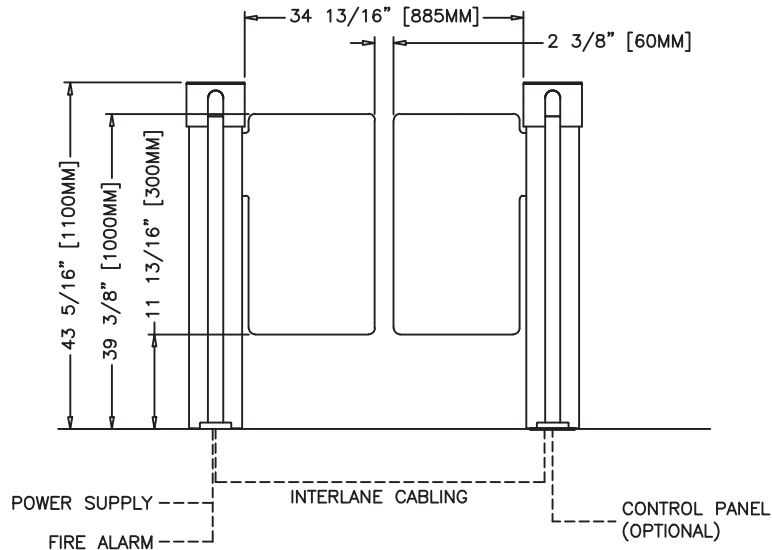


A PLAN VIEW



B FRONT ELEVATION

Installation:

- Turnstile Installs on Finish Floor (Underground wiring conduits required).
- Floor Must be Dead Level.
- Power Supply from Floor.
- Turnstile is Free-standing (No vertical Structural support is Required).