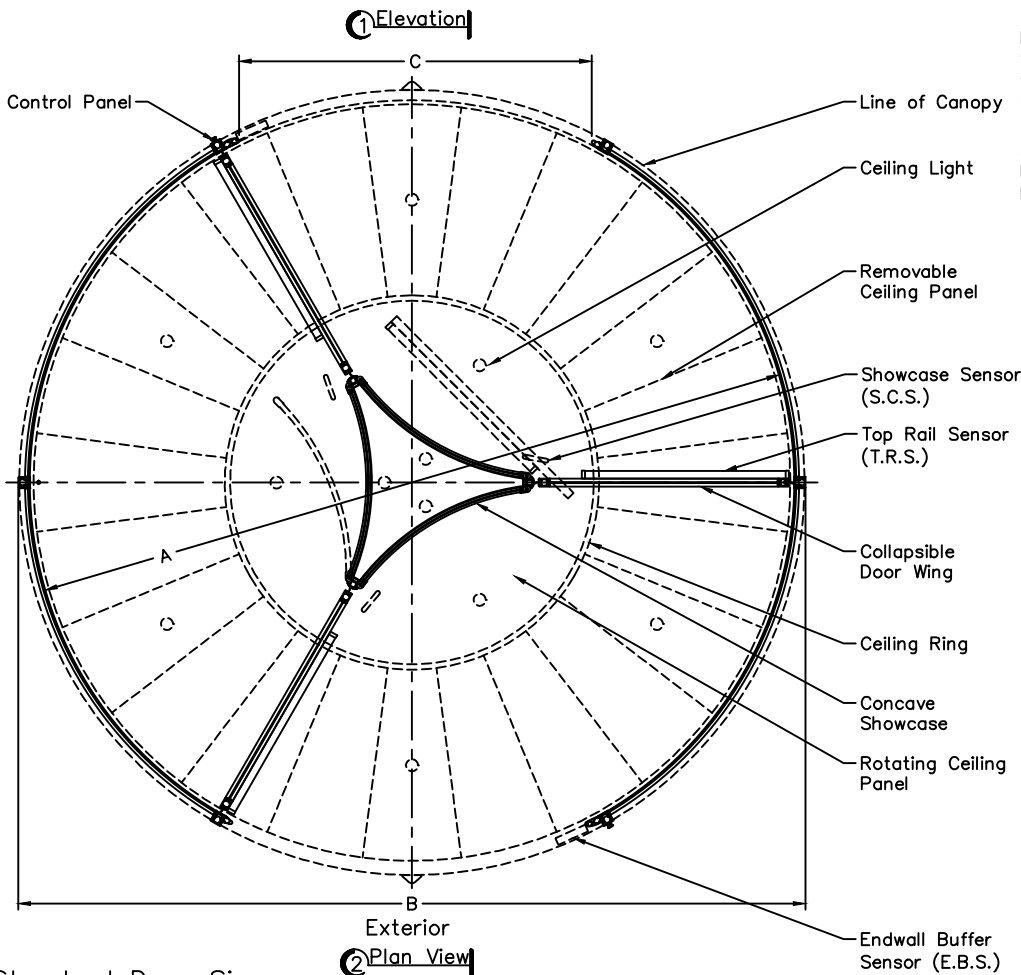


Options:

- Extended Door Heights (Contact Factory)
- Extended Canopy Heights (Contact Factory)

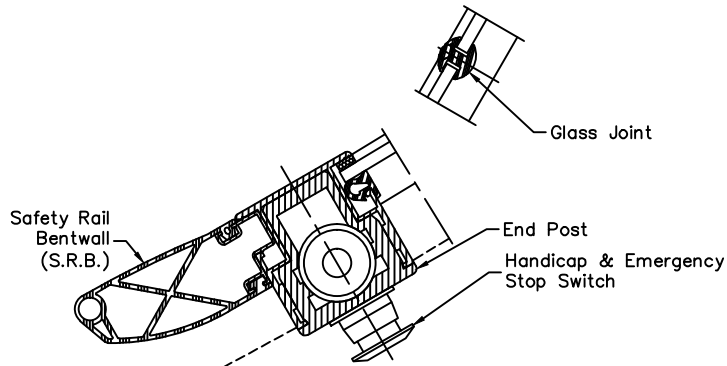
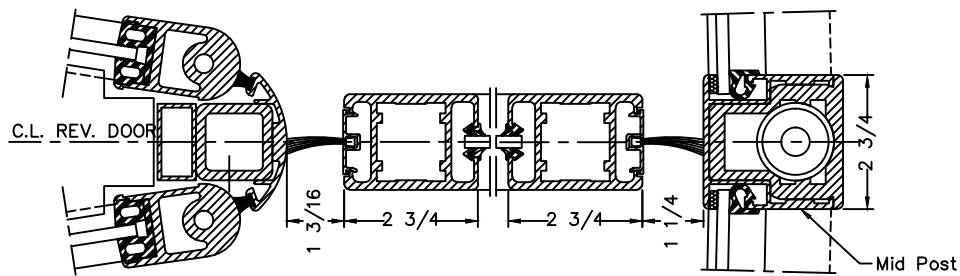
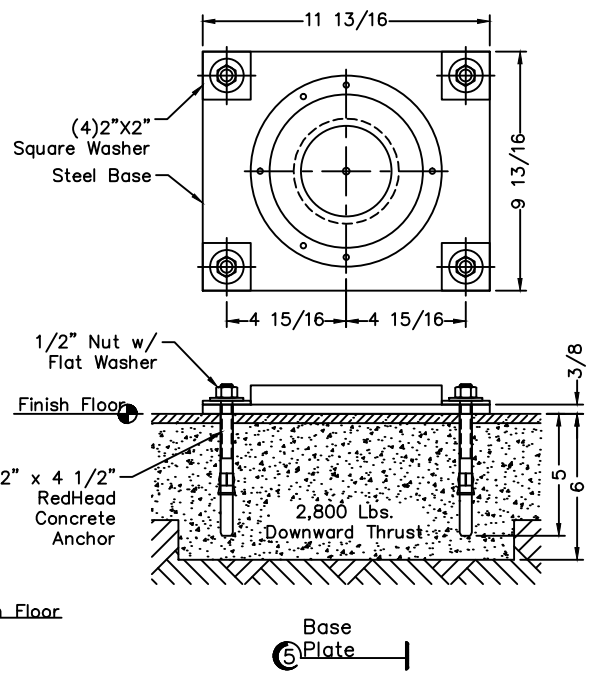
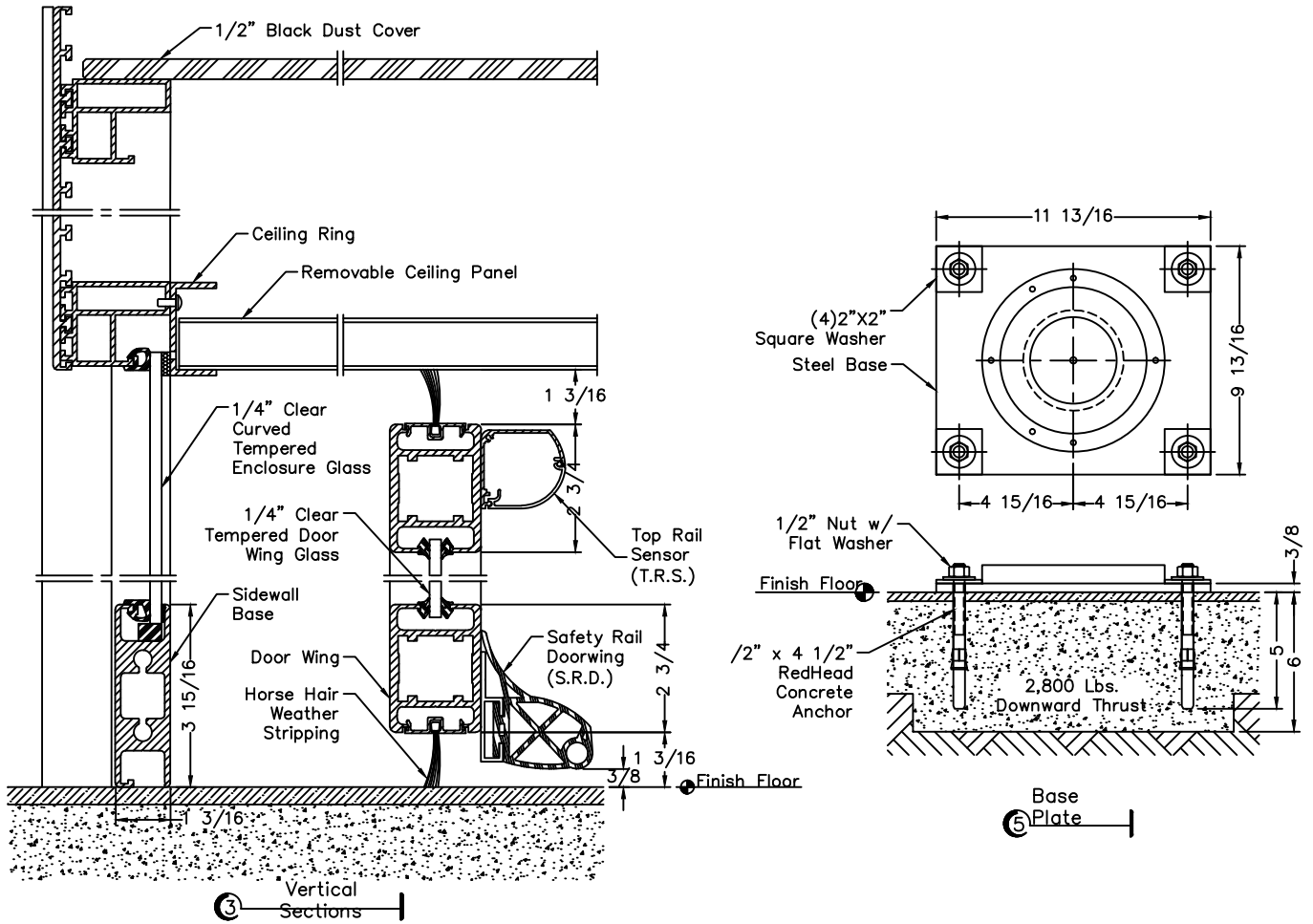
Installation:

- Door Installs on Finish Floor (No recess, rings, or cutouts required)
- Floor Must Be Dead Level.
- Power Supply from Above.
- Door Ties to Adjacent Storefront or Curtain-wall System for Lateral Stability.
- Adjacent Construction Not to Bear Down on any Part of Revolving Door.



Standard Door Sizes

Nominal Diameter	Inside Diameter "A"	Outside Net Frame "B"	Throat Opening "C"
12'-0"	11'-9 3/4" [3600MM]	12'-3 1/4"	5'-5 1/8"
14'-0"	13'-9 3/8" [4200MM]	14'-2 7/8"	6'-4 15/16"
16'-0"	15'-9" [4800MM]	16'-2 1/2"	7'-4 3/4"
18'-0"	17'-8 5/8" [5400MM]	18'-2 1/8"	8'-4 9/16"
20'-0"	19'-8 1/4" [6000MM]	20'-1 3/4"	9'-4 3/8"



Horizontal Sections