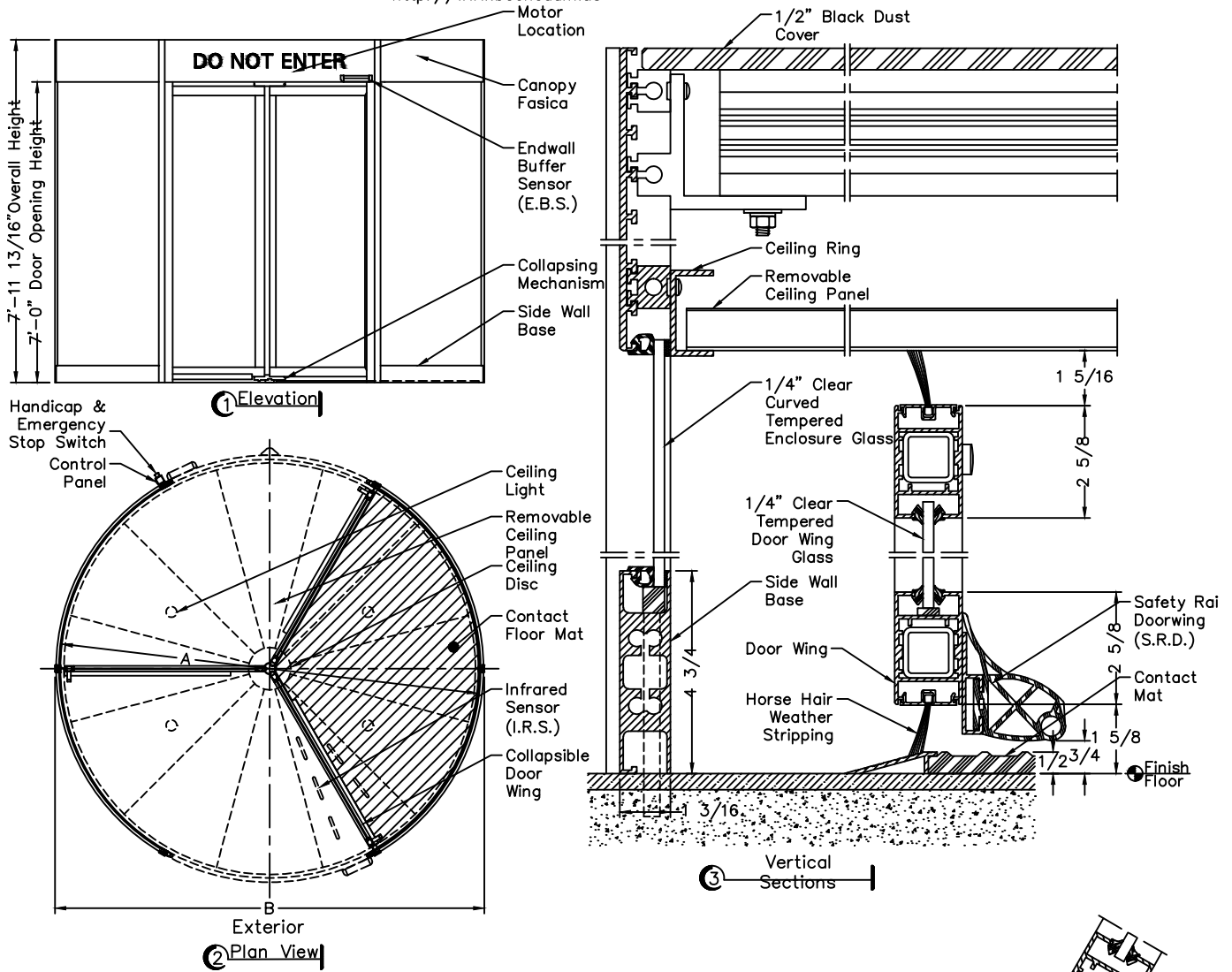


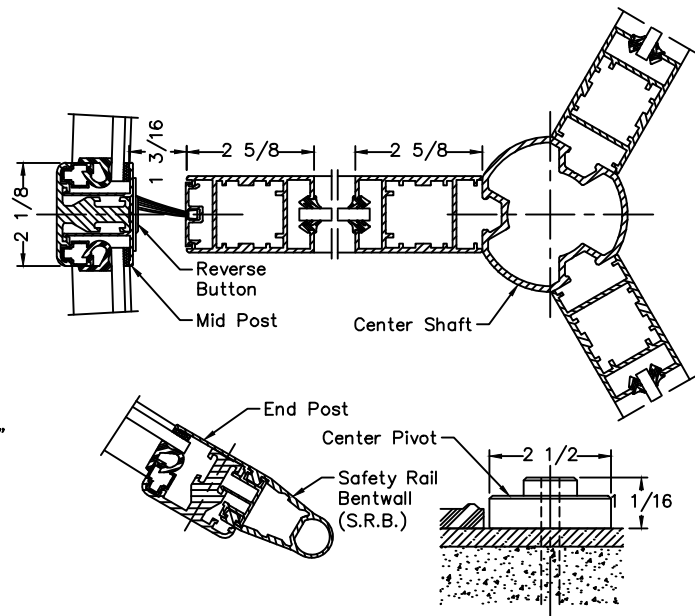
402 McKinney Parkway, Lillington, NC 27546 Tel: (910) 814-8100 Fax: (910) 814-3899

<http://www.boonedam.us>



Standard Door Sizes

Inside Diameter "A"	Outside Net Frame "B"	Throat Opening "C"
9'-9"	10'-0"	4'-6 3/16"



Options:

- Extended Canopy Heights (Contact Factory)
- Floor Contact Mat: Surface Mount or Recessed (Requires 1/2" Recess)

Installation:

Door Installs on Finish Floor. (No recess, rings, or cutouts required.)
 Floor Must Be Dead Level.
 Power Supply from Above.
 Door Ties to Adjacent Storefront or Curtain-Wall System for Lateral Stability.
 Adjacent Construction Not to Bear Down on Any Part of Revolving Door.

(4) Horizontal Sections