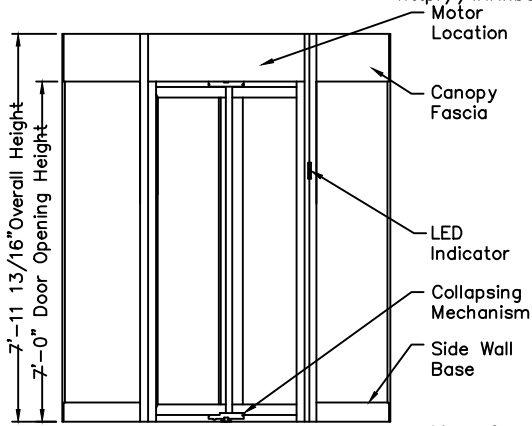
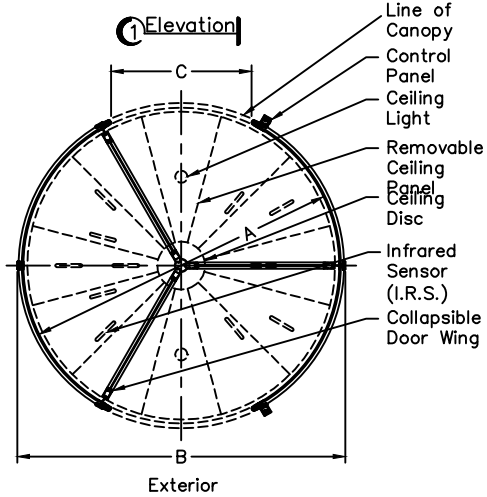


402 McKinney Parkway, Lillington, NC 27546 Tel: (910) 814-8100 Fax: (910) 814-3899

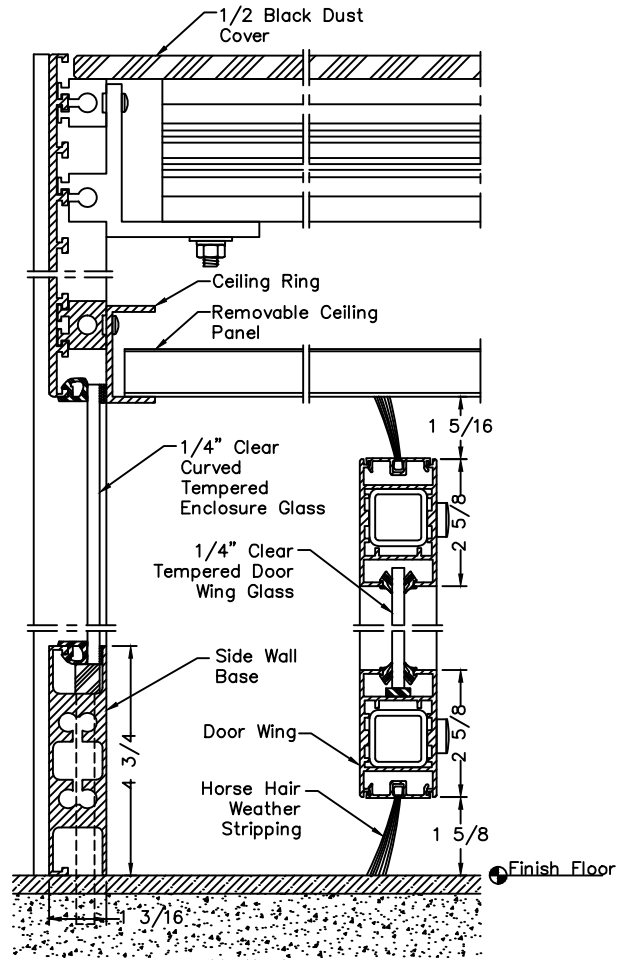
<http://www.boonedam.us>



① Elevation



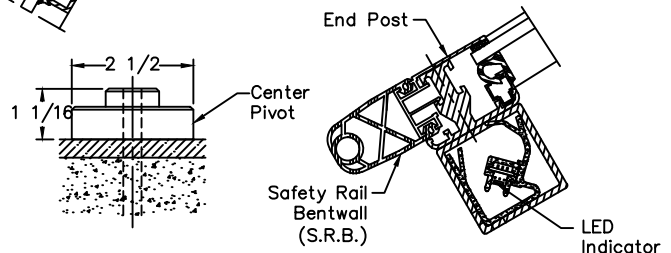
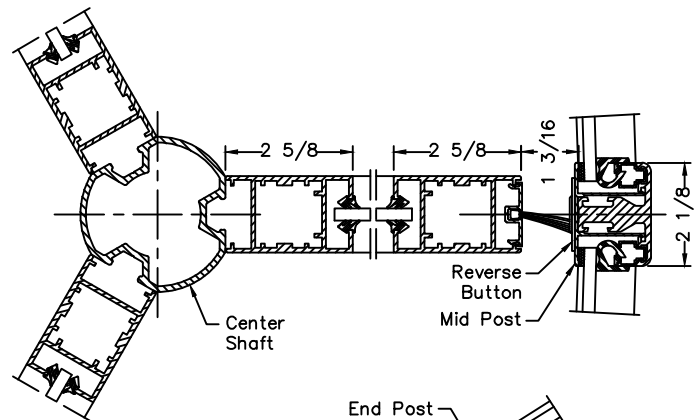
② Plan View



③ Vertical Sections

Standard Door Sizes

Inside Diameter "A"	Outside Net Frame "B"	Throat Opening "C"
5'-6"	5'-9"	2'-4 5/8"
7'-0"	7'-3"	3'-1 5/8"



④ Horizontal Sections

Options:

- Extended Canopy Heights (Contact Factory)

Installation:

Door installs on Finish Floor (No recess, rings, or cutouts required).
Floor Must Be Dead Level.
Power Supply from Above.
Door Ties to Adjacent Storefront or Curtain-Wall System for Lateral Stability.
Adjacent Construction Not to Bear Down on Any Part of Revolving Door.