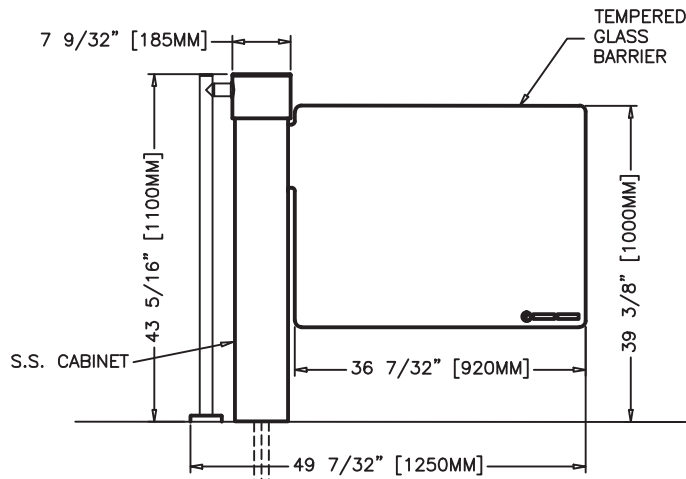


SECURED SIDE



NON SECURED SIDE

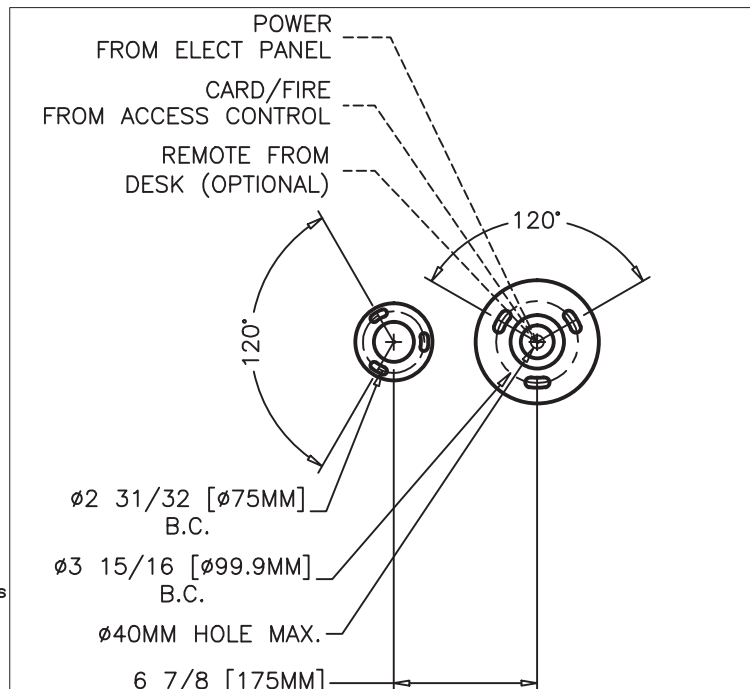
① Plan View



REMOTE FROM  
DESK (OPTIONAL)  
CARD/FIRE FROM  
ACCESS CONTROL  
POWER FROM  
ELECTRICAL PANEL

② Front Elevation

MOUNTING FOOTPRINT



Installation:

Turnstile installs on Finish Floor (Underground wiring conduits required).  
Floor Must be Dead Level.  
Power Supply from Floor.  
Turnstile is Free-standing (No vertical Structural support is Required).