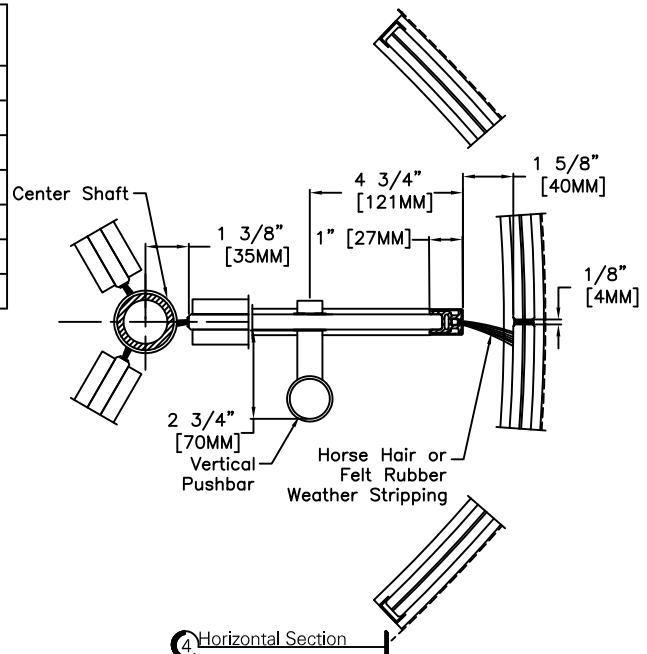


Standard Door Sizes

Inside Diameter "A"	Outside Net Frame "B"	Throat Opening "C"
7'-0" [2135MM]	7'-2" [2185MM]	3'-3 7/8" [1010MM]
7'-6" [2285MM]	7'-8" [2335MM]	3'-6 7/8" [1090MM]
8'-0" [2440MM]	8'-2" [2490MM]	3'-9 7/8" [1165MM]
8'-6" [2590MM]	8'-8" [2640MM]	4'-0 7/8" [1240MM]
9'-0" [2745MM]	9'-2" [2795MM]	4'-3 7/8" [1315MM]
9'-6" [2895MM]	9'-8" [2945MM]	4'-6 7/8" [1395MM]
10'-0" [3050MM]	10'-2" [3100MM]	4'-9 7/8" [1470MM]



Options:

- D: Extended Door Heights 7' - 10' [2135-3050mm]
- Felt rubber or horse hair weather stripping

Installation:

Door installs on finish floor, recess required for speed control only
 Floor must be dead level.
 Door ties to adjacent storefront or curtain-wall system for lateral stability.
 Adjacent construction not to bear down on any part of revolving door.