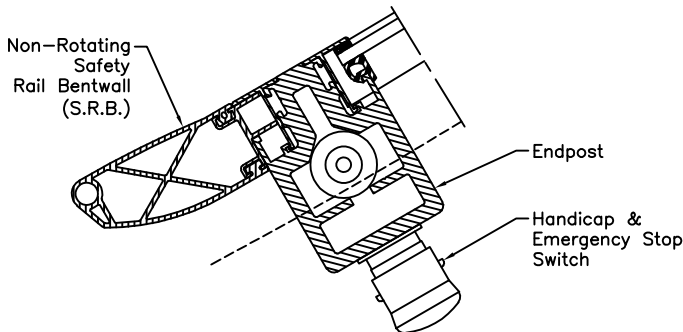
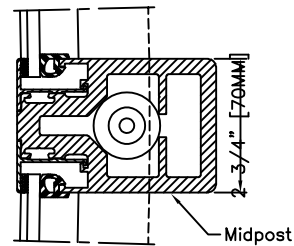


3 Vertical Sections

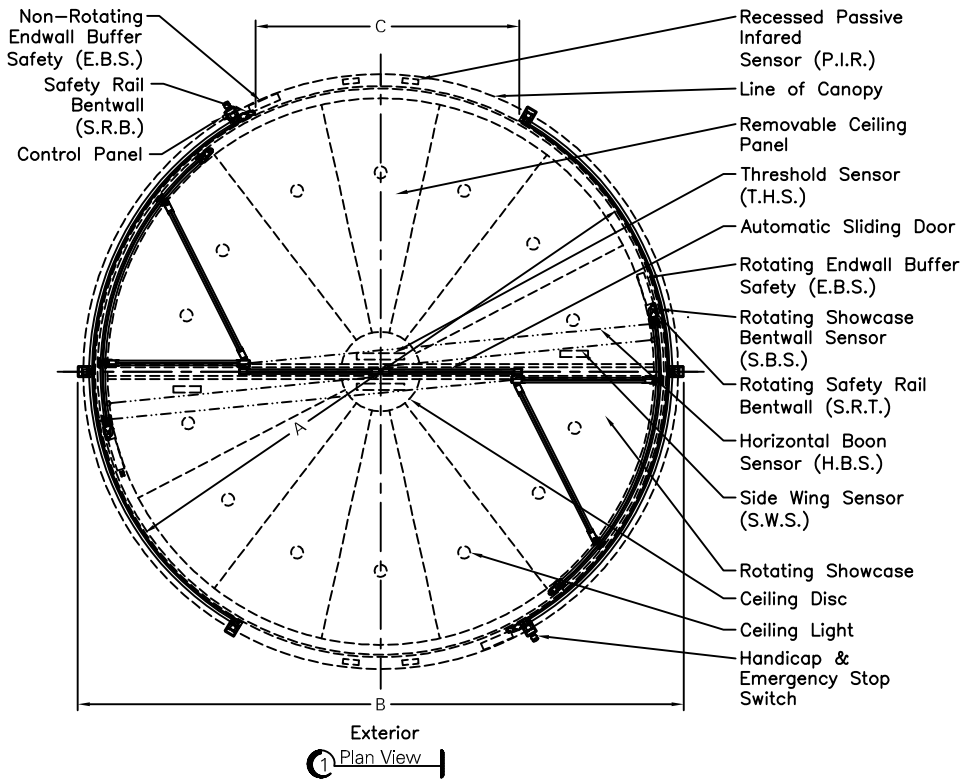
5 Vertical Section Post Anchor Detail



5 Horizontal Section End Post Detail



6 Horizontal Section Mid Post Detail

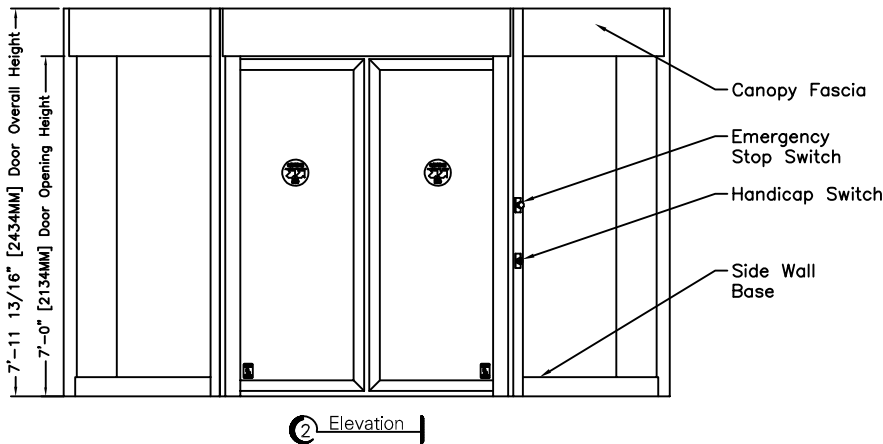


Options:

- Extended door heights (Contact factory)
- Extended canopy heights

Installation:

Door installs on finish floor (No recess, rings, or cutouts required)
Floor must be dead level.
Power supply from above.
Door ties to adjacent storefront or curtain-wall system for lateral stability.
Adjacent construction not to bear down on any part of revolving door.



Standard Door Sizes

Nominal Diameter	Inside Diameter "A"	Outside Net Frame "B"	Throat Opening "C"
12' 0"	11'-10" [3600MM]	12'-5 3/4" [3805MM]	5'-5 1/8" [1655MM]
14' 0"	13'-9 3/4" [4210MM]	14'-5 3/4" [4415MM]	6'-5 1/8" [1960MM]
16' 0"	15'-9 3/4" [4820MM]	16'-5 3/4" [5025MM]	7'-5 1/8" [2265MM]