

**GENERAL NOTES:**

- UNIT INSTALLS ON FINISH FLOOR.
- FLOOR MUST BE DEAD LEVEL (MAX 3/16" RISE) THROUGHOUT FOOTPRINT.
- UNDERGROUND WIRING CONDUIT REQUIRED.
- OPTIONAL PLATFORM AVAILABLE.
- UNIT IS FREE STANDING – NO VERTICAL STRUCTURAL SUPPORT REQUIRED. ANCHORING TO FLOOR IS REQUIRED.
- ADHERE TO LOCAL CODES DURING INSTALLATION.

**CODED NOTES:**

1. CABINET – #4 STAINLESS STEEL
2. TOP – BLACK TEMPERED GLASS: 1/4"[6MM] THK
3. CARD READER + AUTHORIZATION LIGHT LOCATION.  
MAX CARD READER SIZE:  
3.15"[80mm]W X 5.11"[130MM]L X 2.0"[51mm]H
4. FRONT COVER – BLACK TEMPERED GLASS: 1/4"[6MM] THK

**ELECTRICAL NOTES:**

- REFER TO BOON EDAM INSTALLATION SITE REQUIREMENTS SHEET
- ALL CONDUIT BY OTHERS.

**MAINS VOLTAGE OPTIONS:**

- 110VAC, 60HZ, SINGLE PHASE (L1,N,PE) 20AMP BREAKER
- 220VAC, 60HZ, DUAL PHASE (L1,L2,PE) 20AMP BREAKER

**LISTINGS/RATINGS:**

- UL 2593, UL325, CSA C22.2 NO. 247-14
- 110V, 60HZ, 1.5A
- 220V, 60HZ, 0.8A

**ACCESS CONTROL SIGNALS:**

- INPUTS: SEE MANUAL. CARD READ SIGNALS: N/O, 1 SECOND PULSE.
- OUTPUTS: CONFIGURABLE FOR NORMALLY OPEN OR NORMALLY CLOSED. (SEE MANUAL)
- FIRE ALARM: NORMALLY CLOSED DRY CONTACT, SEPERATE SIGNAL TO EACH MASTER (CANNOT BE DAISY CHAINED)

**BOONTOUCH REQUIRES:**

- ONE (1) CAT 6 HOME RUN CABLE FROM BOONTOUCH CONTROL PANEL TO MASTER UNIT. BY OTHERS. FOR DETAILS SEE CONDUIT LAYOUT.
- ONE (1) ADDITIONAL CABLE BETWEEN EACH LANE. BY OTHERS.
- ONE (1) CABLE BETWEEN ARRAYS. BY OTHERS. FOR DETAILS SEE CONDUIT LAYOUT.
- MAX 6 LANES PER BOONTOUCH PANEL.

| A   | CUTSHEET    | 1 OF 2 | 12/9/19 AA |
|-----|-------------|--------|------------|
| REV | DESCRIPTION | PAGE   | DATE       |

**REVISION LOG**

SLIDE W ANGEL WING: 1 LANE ARRAY; ADA

Project: CUTSHEET

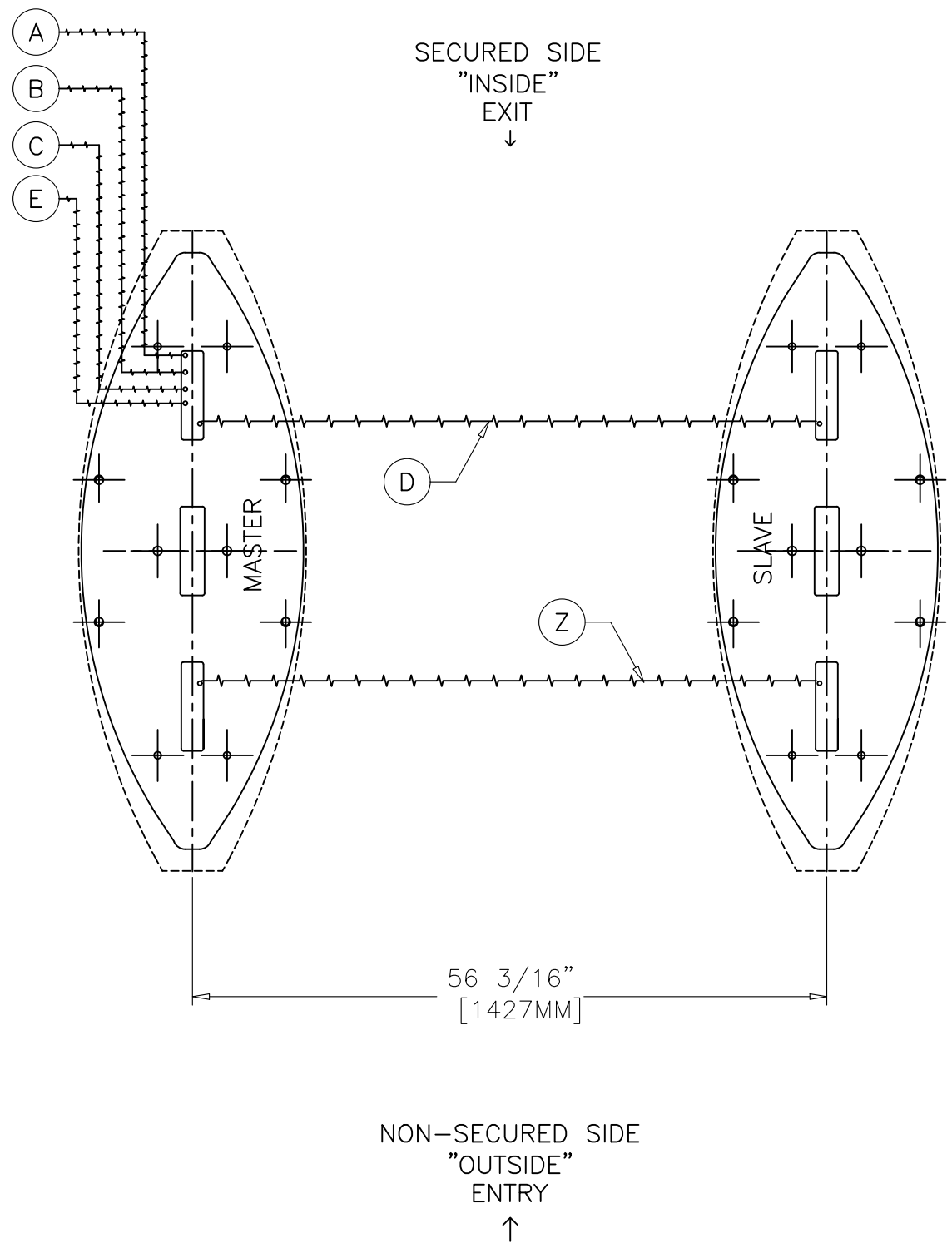
Architect:

Customer:

Job #:

Date: 12/9/19 AA  
Rev: A

**BOON EDAM**  
402 McKinney Parkway, Lillington, NC 27546 - (910) 814-3800 www.boonedam.us



**GENERAL NOTES:**

- UNIT INSTALLS ON FINISH FLOOR.
- FLOOR MUST BE DEAD LEVEL (MAX 3/16" RISE) THROUGHOUT FOOTPRINT.
- UNDERGROUND WIRING CONDUIT REQUIRED.
- OPTIONAL PLATFORM AVAILABLE.
- UNIT IS FREE STANDING – NO VERTICAL STRUCTURAL SUPPORT REQUIRED. ANCHORING TO FLOOR IS REQUIRED.
- ADHERE TO LOCAL CODES DURING INSTALLATION.

**ELECTRICAL NOTES:**

- REFER TO BOON EDAM INSTALLATION SITE REQUIREMENTS SHEET
- ALL CONDUIT BY OTHERS.

**MAINS VOLTAGE OPTIONS:**

- 110VAC, 60HZ, SINGLE PHASE (L1,N,PE) 20AMP BREAKER
- 220VAC, 60HZ, DUAL PHASE (L1,L2,PE) 20AMP BREAKER

**ACCESS CONTROL SIGNALS:**

- INPUTS: SEE MANUAL. CARD READ SIGNALS: N/O, 1 SECOND PULSE.
- OUTPUTS: CONFIGURABLE FOR NORMALLY OPEN OR NORMALLY CLOSED. (SEE MANUAL).
- FIRE ALARM: NORMALLY CLOSED DRY CONTACT, SEPARATE SIGNAL TO EACH MASTER (CANNOT BE DAISY CHAINED).

**SECURE SIDE ONLY:**

- A – ONE CONDUIT FOR MAINS POWER PER MASTER CABINET. CAN ALSO BE DAISY CHAINED UP TO 6 MASTER CABINETS.
- B – ONE CONDUIT FOR 2 CONDUCTOR FIRE PER MASTER CABINET.
- C – ONE CONDUIT FOR ACS CABLE – MAX 1/0 28 CONDUCTOR.
- D – ONE 1" CONDUIT FOR BOON EDAM SUPPLIED INTERLANE CABLING ONLY :
  - ONE INTERLANE MOTOR CABLE.
  - ONE INTERLANE COMMUNICATION CABLE.
  - 12' USEABLE CABLE SUPPLIED.
- E – 1/2" X CAT 6 CABLE TO FIRST MASTER FROM BOONTOUCH CONTROL PANEL. BY OTHERS.
- F – 1/2" X CAT 6 CABLE BETWEEN MASTERS FOR BOONTOUCH DAISY CHAIN. BY OTHERS. MAX. 6 LANES PER BOONTOUCH PANEL.

**NON-SECURE SIDE:**

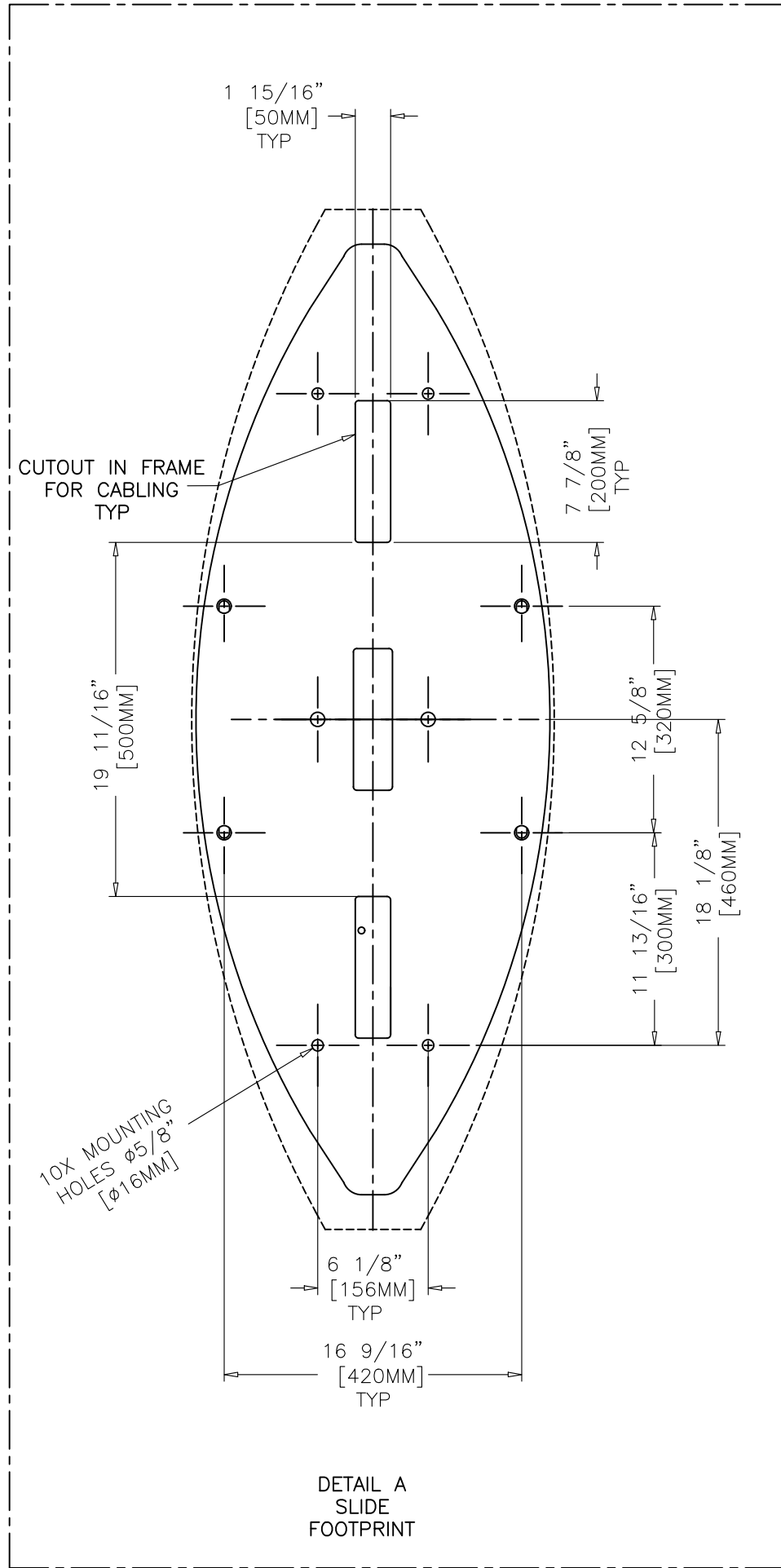
- Z – OPTIONAL LOCATION FOR LOW VOLTAGE CABLING

**BOONTOUCH CAN CABLE DETAILS (FOR E, F CABLE RUNS):**

- NUMBER OF WIRES: 4 OR 6 CAT 6
- TYPE: TWISTED PAIR
- CORE: 26 OR 28 AWG STRANDED OR TINSEL WIRE
- INSULATION DIAMETER: 0.89–0.99 MM [0.035–0.039"]
- MAXIMUM OVAL CABLE JACKET: 2.29x6.61MM [0.090x0.260"]
- MAXIMUM TOTAL CABLE LENGTH: 100M (325')
- CONNECTORS: RJ12

|     |             |        |            |
|-----|-------------|--------|------------|
| A   | CUTSHEET    | 1 OF 2 | 12/9/19 AA |
| REV | DESCRIPTION | PAGE   | DATE       |

REVISION LOG



| REV | DESCRIPTION | PAGE   | DATE       |
|-----|-------------|--------|------------|
| A   | CUTSHEET    | 1 OF 2 | 12/9/19 AA |

REVISION LOG