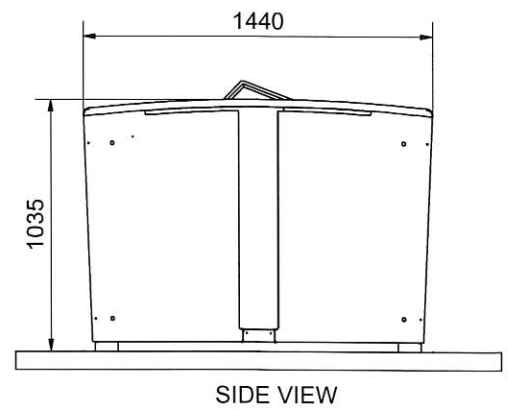
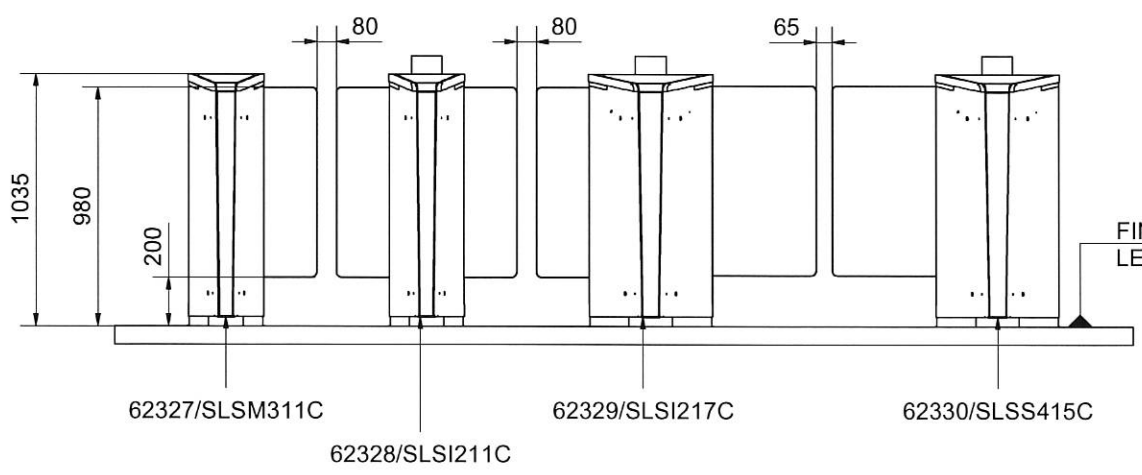


NON SECURED SIDE

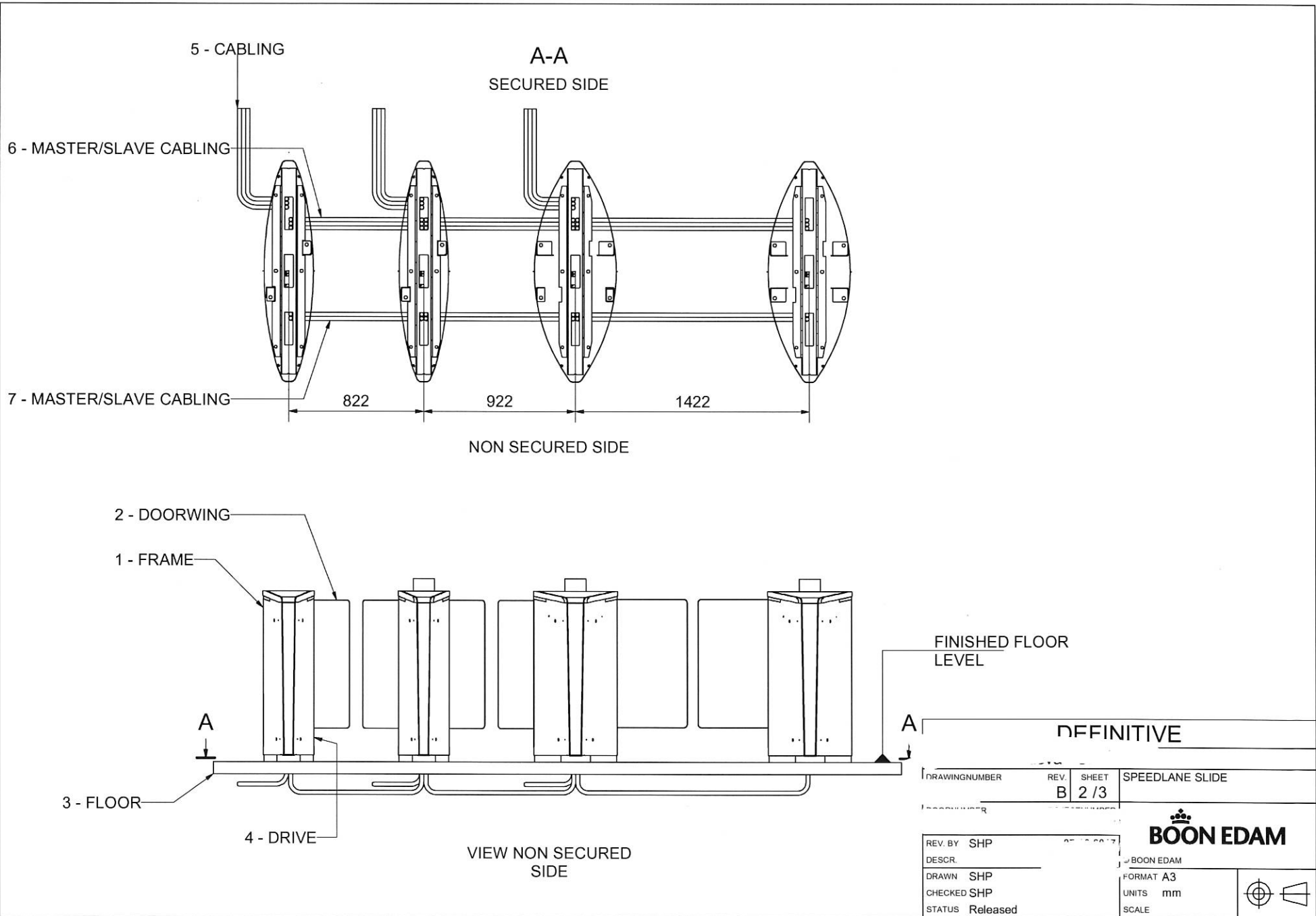


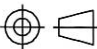
VIEW NON SECURED SIDE

DEFINITIVE

DRAWING NUMBER		REV. SHEET	SPEEDLANE SLIDE	
		B 1 / 3		
PROJECT NUMBER		PROJECT NAME		
REV. BY SHP				
DESCR.				
DRAWN SHP				
CHECKED SHP				
STATUS Released		© BOON EDAM	FORMAT A3	
		UNITS mm	SCALE	

CUSTOMER INFO



OFFINITIVE		
DRAWINGNUMBER	REV. B	SHEET 2 / 3
SPEEDLANE SLIDE		
<b>BOON EDAM</b>		
REV. BY SHP	BOON EDAM	
DESCR.	FORMAT A3	
DRAWN SHP	UNITS mm	
CHECKED SHP	SCALE	
STATUS Released		

CUSTOMER INFO