

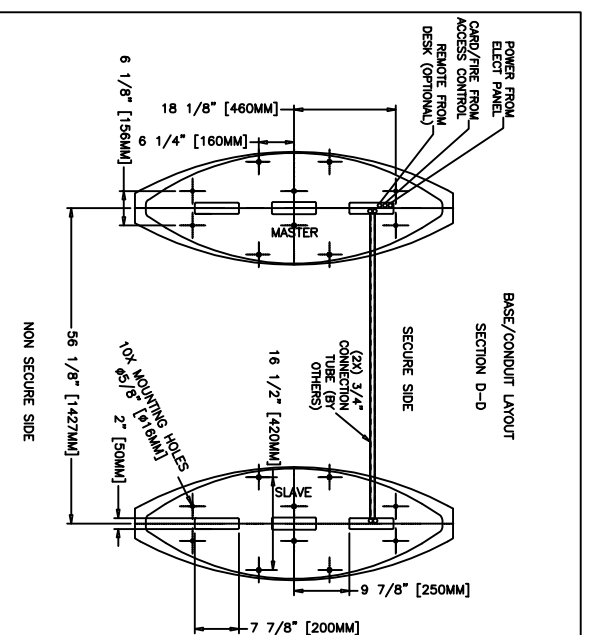
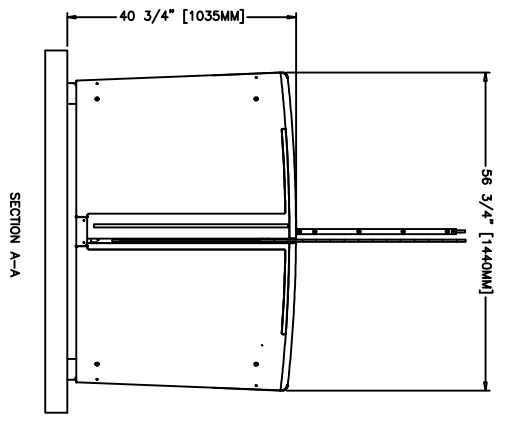
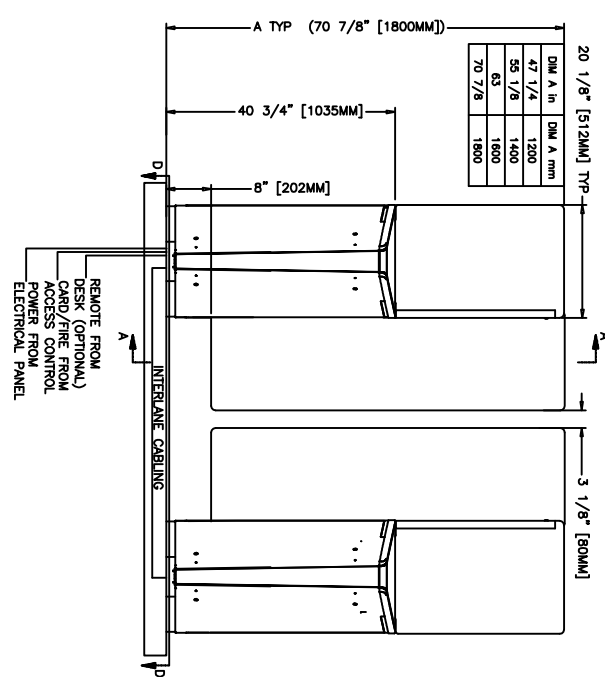
GENERAL NOTES:
 UNIT INSTALLS ON FINISH FLOOR. UNDERGROUND WIRING CONDUIT REQUIRED. OPTIONAL PLATFORM AVAILABLE. FLOOR MUST BE DEAD LEVEL. UNIT IS FREE STANDING - NO VERTICAL STRUCTURAL SUPPORT REQUIRED.

ELECTRICAL NOTES:
 POWER SERVICE REQUIRED: 110VAC OR 220VAC (1) PHASE 60HZ, 15A, NEUTRAL, GROUND. AUTHORIZATION REQUIRED DRY CONTACT FROM ACCESS CONTROL.

ALL CONDUIT BY OTHERS.

CODED NOTES:
 1. CABINET - #4 STAINLESS STEEL; ALTERNATE P.C. COLORS AVAILABLE
 2. TOP - BLACK TEMPERED GLASS
 3. AUTHORIZATION LIGHT / CARD READER LOCATION
 MAX CARD READER SIZE: 3.15"W X 5.11"H X 2.0"H
 4. FRONT COVER - BLACK TEMPERED GLASS
 5. CLEAR TEMPERED GLASS BARRIER

DNM A in	DNM A mm
47 1/4	1200
55 1/8	1400
63	1600
70 7/8	1800



6 5 4 3 2 1