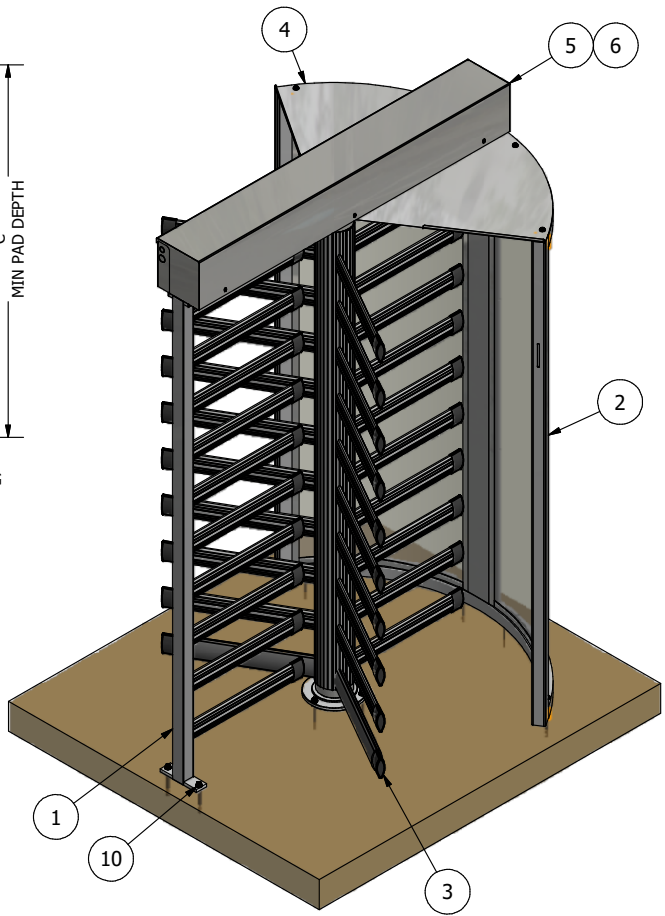
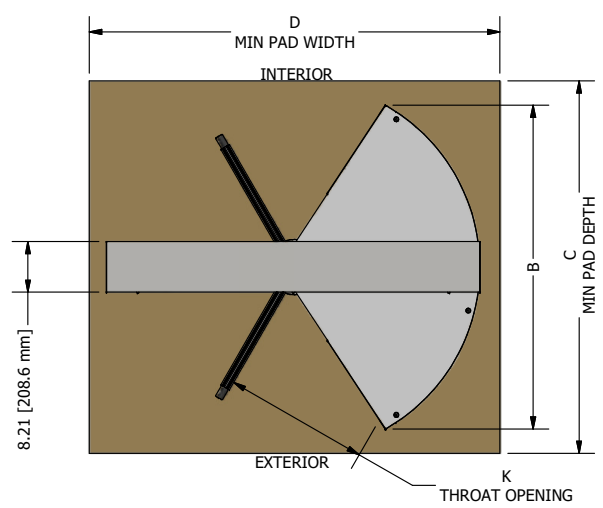


6 5 4 3 2 1



GENERAL NOTES:

TURNLOCK-150ASTG = 1 DIRECTION ELECTRICALLY CONTROLLED.
 TURNLOCK-150ASTG2 = 2 DIRECTIONS ELECTRICALLY CONTROLLED.
 TURNLOCK-150MASTG = MECHANICAL UNIT.

ANODIZED ALUMINUM CONSTRUCTION.

MINIMUM PAD SIZE SHOWN. MUST BE LEVEL WITHIN 1/4".

BRACE BARRIER POST AT TOP TO ADJACENT SURFACE.

ALLOW 1" [25.4MM] FOR REMOVAL OF 2 PC COVER.

ELECTRICAL NOTES:

- POWER SERVICE OPTIONS:
1. 24 VDC
 2. 110 VAC SINGLE PHASE
 3. 220 VAC SINGLE PHASE 50/60HZ
 4. 220 VAC DUAL PHASE 50/60HZ

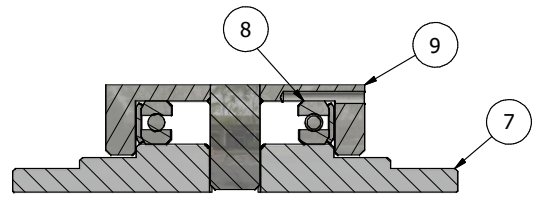
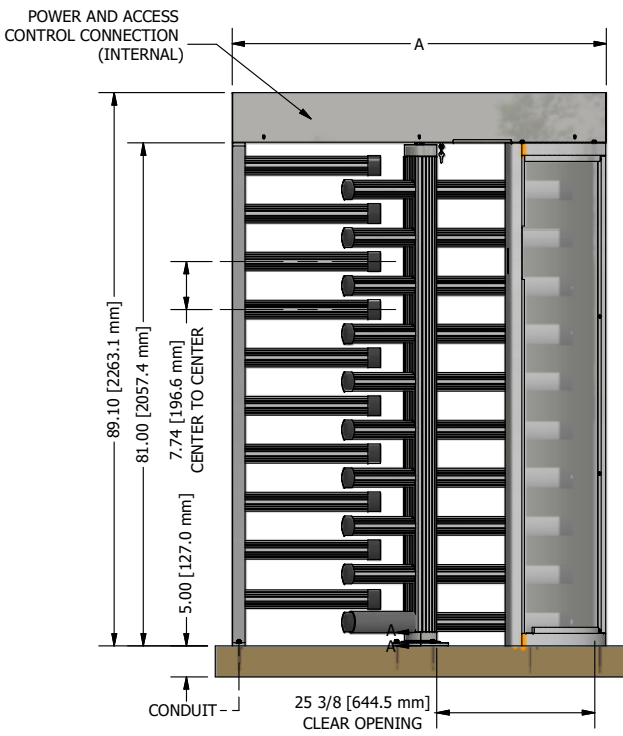
15A MAINS SERVICE REQ'D

4 LOCATIONS AVAILABLE FOR CONDUIT ACCESS.

AUTHORIZATION, FIRE ALARM REQUIRES DRY CONTACT FROM ACCESS CONTROL.

CODED NOTES:

1. BARRIER ASSEMBLY, WELDED - ANODIZED ALUMINUM
2. SHIELD ASSEMBLY, WELDED - ANODIZED ALUMINUM WITH LEXAN PANELS
3. ROTOR ASSEMBLY, WELDED (3) - ANODIZED ALUMINUM
4. CEILING PLATE - ANODIZED ALUMINUM
5. MECHANISM CHANNEL - ALUMINUM
6. 2 PC CHANNEL COVER - STAINLESS STEEL
7. BASE PLATE - ANODIZED ALUMINUM
8. BOTTOM BEARING
9. BOTTOM FLANGE
10. ANCHOR BOLTS (9), PROVIDED



SECTION A-A
 BOTTOM BEARING/BASE PLATE
 SCALE 1:2.5

TURNLOCK-150ASTG SIZE (DIMENSIONS IN INCHES)

| NOMINAL SIZE | A | B | C | D | E | K |
|--------------|-------|-------|-------|-------|-------|-------|
| 60 | 60.13 | 52.15 | 60.00 | 66.00 | 25.50 | 23.67 |
| 66 | 66.13 | 57.09 | 66.00 | 72.00 | 28.50 | 26.36 |
| 72 | 72.18 | 63.73 | 72.00 | 78.00 | 31.50 | 28.34 |
| 88 | 88.28 | 77.68 | 96.00 | 96.00 | 39.50 | 35.28 |

* NOTE: TOP CHANNEL WIDTH IS 18.21 @ 72,88 NOMINAL SIZE

6 5 4 3 2 1

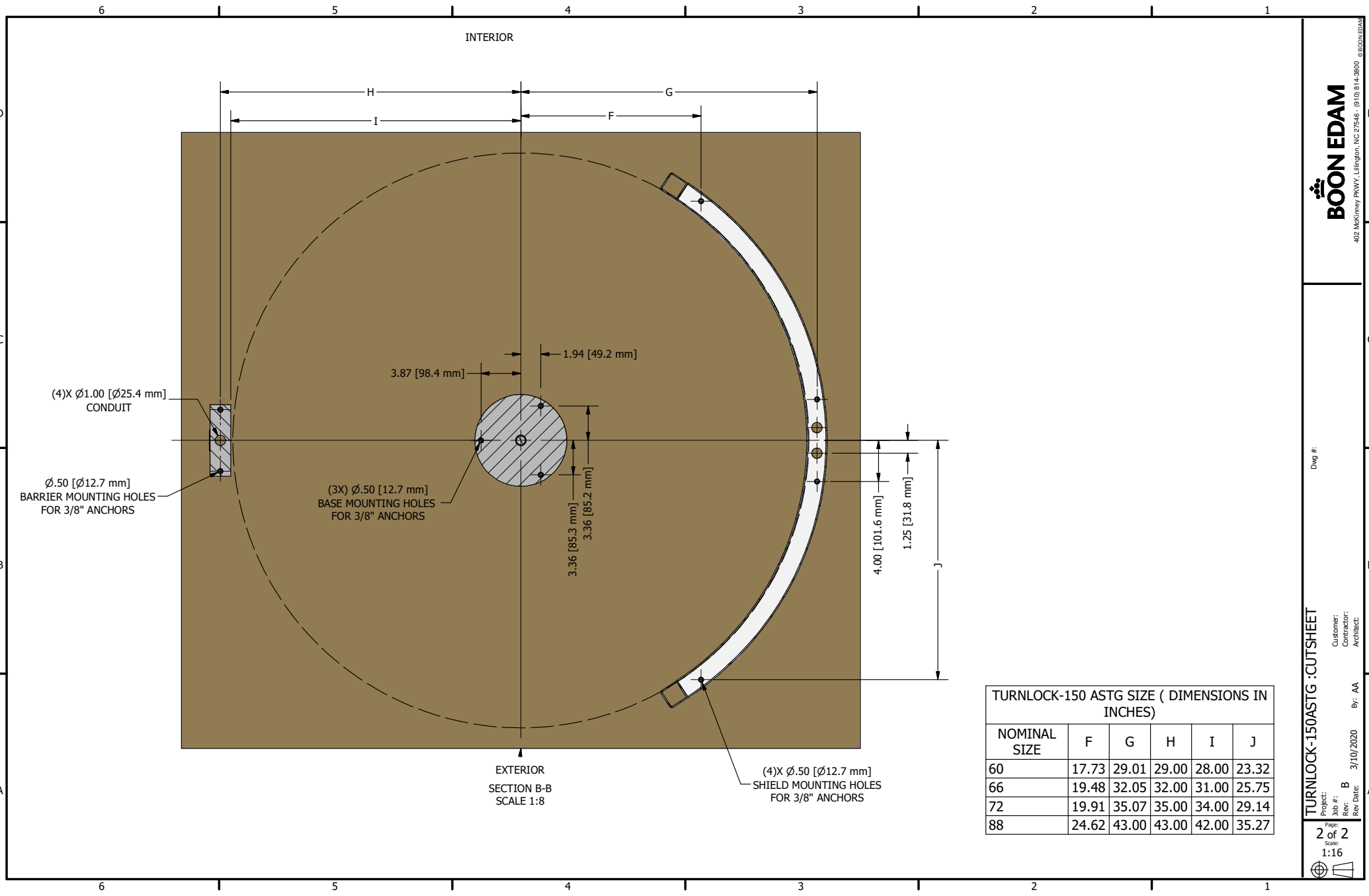
BOON EDAM

402 McKinney PKWY., Lillington, NC 27546 - (910) 814-3800

TURNLOCK-150ASTG : CUTSHEET

Project: _____ Customer: _____
 Job #: _____ Contractor: _____
 Rev: B _____ Architect: _____
 Rev Date: 3/10/2020 By: AA

Page: 1 of 2
 Scale: 1:20



TURNLOCK-150ASTG SIZE (DIMENSIONS IN INCHES)

| NOMINAL SIZE | F | G | H | I | J |
|--------------|-------|-------|-------|-------|-------|
| 60 | 17.73 | 29.01 | 29.00 | 28.00 | 23.32 |
| 66 | 19.48 | 32.05 | 32.00 | 31.00 | 25.75 |
| 72 | 19.91 | 35.07 | 35.00 | 34.00 | 29.14 |
| 88 | 24.62 | 43.00 | 43.00 | 42.00 | 35.27 |