

SECTION A-A
BOTTOM BEARING/BASE PLATE
SCALE 1 : 3
2 PLACES

GENERAL NOTES:

TURNLOCK-200TL = 1 DIRECTION ELECTRICALLY CONTROLLED.
TURNLOCK-200TL2 = 2 DIRECTIONS ELECTRICALLY CONTROLLED.

MINIMUM PAD SIZE SHOWN. MUST BE LEVEL WITHIN 1/4".

BRACE BARRIER POST AT TOP TO ADJACENT SURFACE.

ALLOW 1" [25.4MM] FOR REMOVAL OF 2PC COVER.

ELECTRICAL NOTES:

POWER SERVICE OPTIONS:

1. 24 VDC
2. 110 VAC SINGLE PHASE
3. 220 VAC SINGLE PHASE 50/60HZ
4. 220 VAC DUAL PHASE 50/60HZ

15A MAINS SERVICE REQ'D

4 LOCATIONS AVAILABLE FOR CONDUIT ACCESS.

AUTHORIZATION, FIRE ALARM REQUIRES DRY CONTACT FROM ACCESS CONTROL.

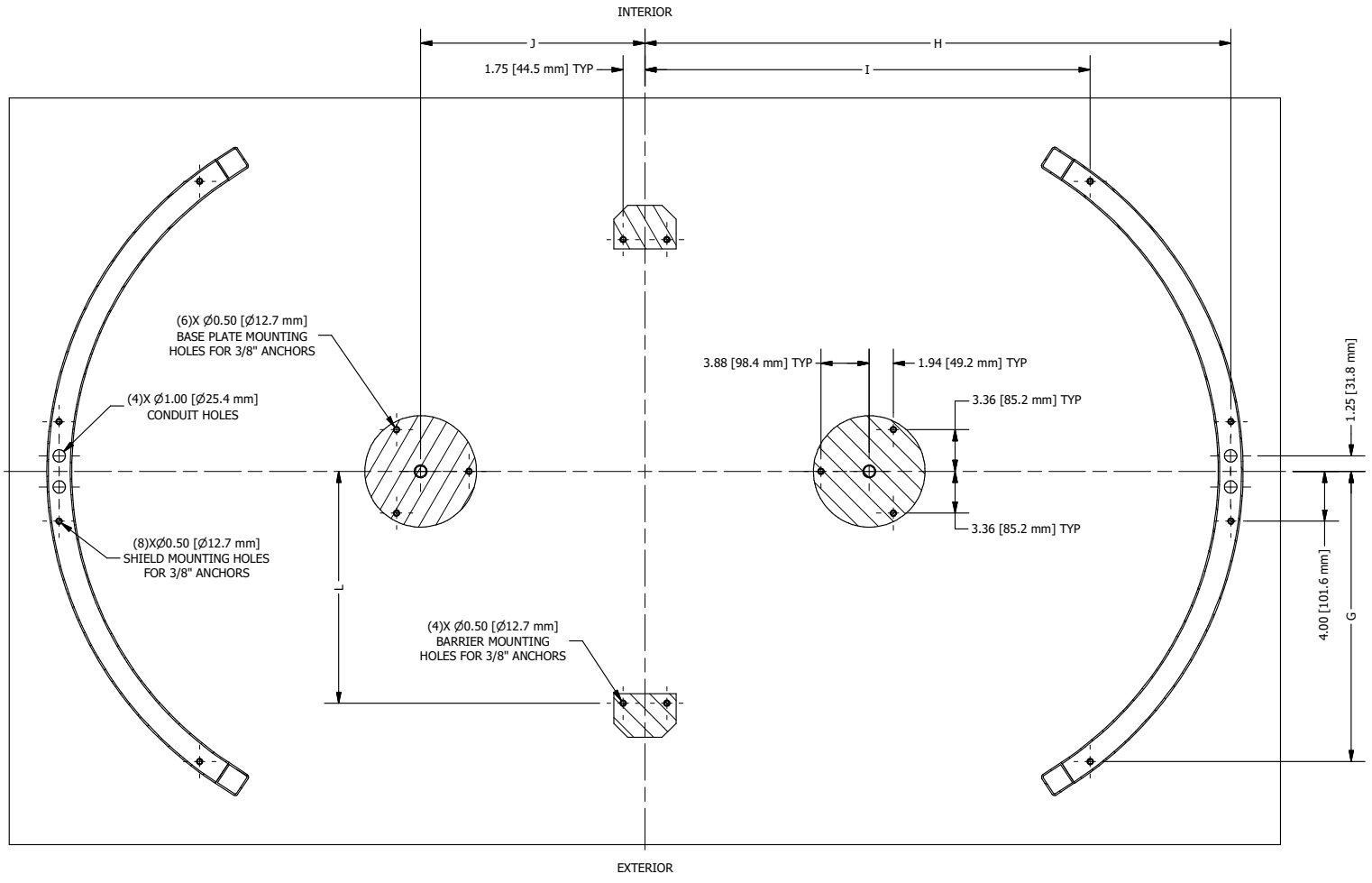
CODED NOTES:

1. BARRIER ASSEMBLY, WELDED - ANODIZED ALUMINUM
2. SHIELD ASSEMBLY, WELDED - ANODIZED ALUMINUM WITH LEXAN PANELS
3. ROTOR ASSEMBLY (6) - ANODIZED ALUMINUM WITH LEXAN ARMS
4. CEILING PLATE - ANODIZED ALUMINUM
5. 2 PC CHANNEL COVER - STAINLESS STEEL
6. MECHANISM CHANNEL - POWDERCOATED STEEL
7. BASE PLATE - ANODIZED ALUMINUM
8. BOTTOM BEARING
9. BOTTOM FLANGE
10. ANCHOR BOLTS (18), PROVIDED

TURNLOCK-200TL SIZES (DIMENSIONS IN INCHES)							
NOMINAL SIZE	A	B	C	D	E	F	K
96	96.12	52.09	60.00	102.00	25.40	36.00	23.60
114*	114.24	63.51	72.00	120.00	31.40	42.00	28.27

*NOTE: TOP CHANNEL WIDTH IS 18.21

6 5 4 3 2 1



SECTION B-B
FOOTPRINT
SCALE 1:9

TURNLOCK-200TL SIZES (DIMENSIONS IN INCHES)					
NOMINAL SIZE	G	H	I	J	L
96	23.31	47.02	35.73	18.00	18.63
114*	29.08	56.02	40.90	21.00	23.75

*NOTE: TOP CHANNEL WIDTH IS 18.21

BOON EDAM
402 McKimsey PKWY, Lillington, NC 27546 (910) 814-3800 © BOON EDAM

TURNLOCK-200TL: FULL HEIGHT SECURITY TURNSTILE

Project: _____
Job #: _____
Rev: C
Rev Date: 1/8/2020

Customer: _____
Contractor: _____
Architect: _____

By: MR
Scale: 1:10

Page: 2 of 2

D
C
B
A

6 5 4 3 2 1