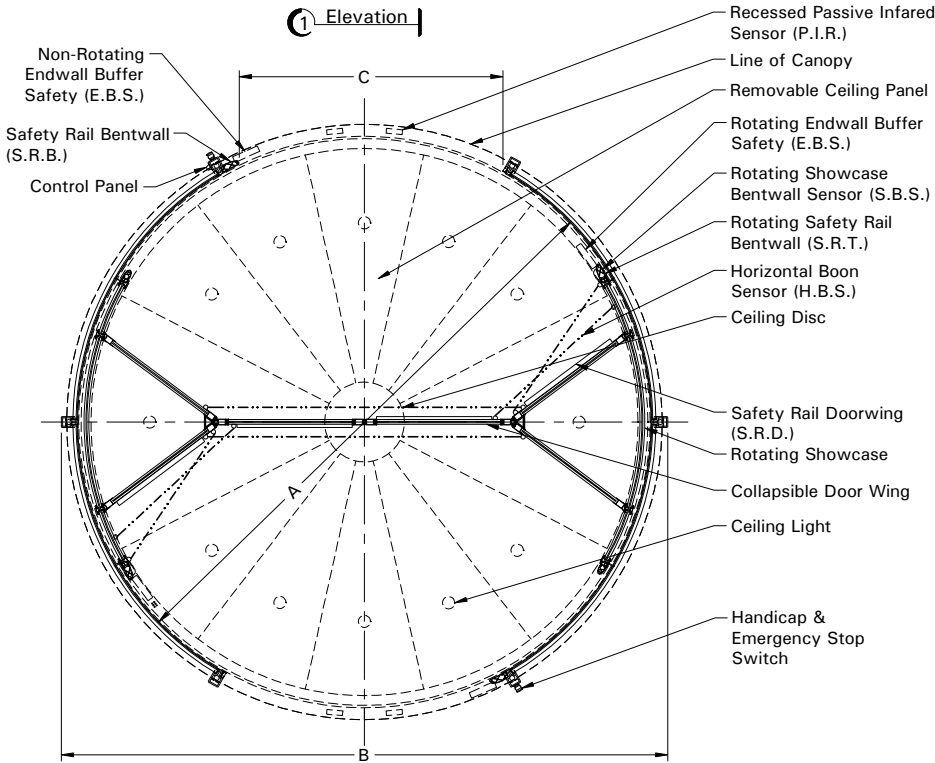


1 Elevation



2 Exterior Plan View

Options:

- Extended Door Heights (Contact Factory)
- Extended Canopy Heights (Contact Factory)

Installation:

Door Installs on Finish Floor (No recess, rings, or cutouts required).

Floor Must be Dead Level.

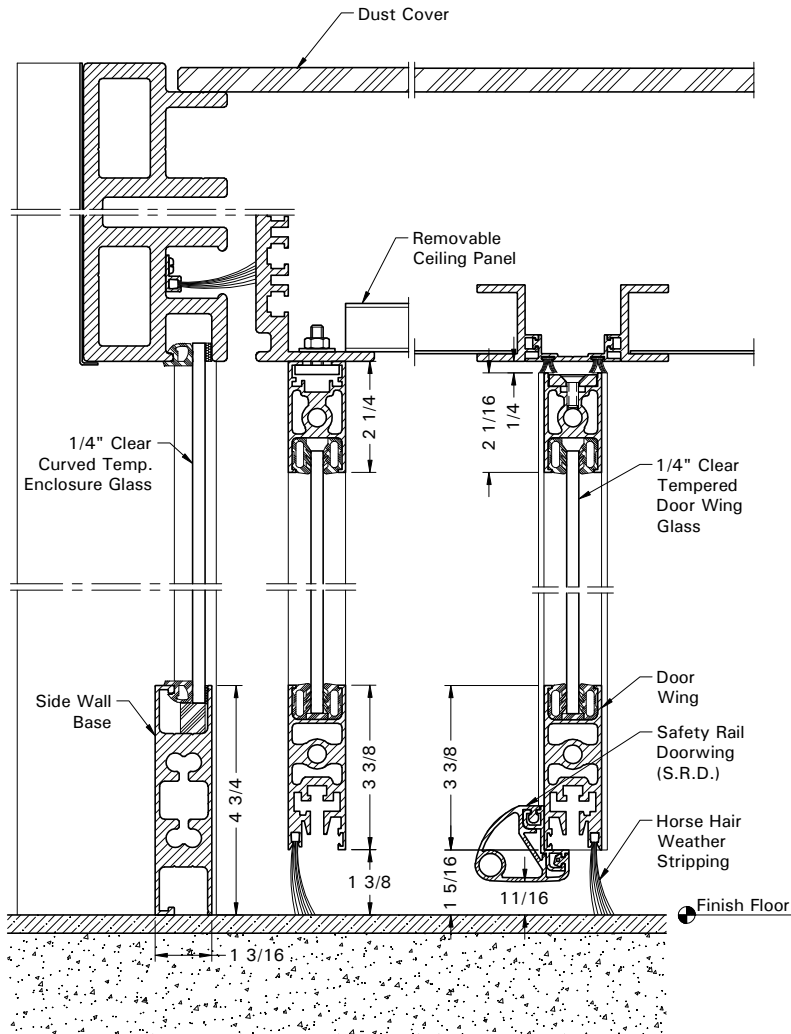
Power Supply from Above.

Door Ties to Adjacent Storefront or Curtain-wall System for Lateral Stability.

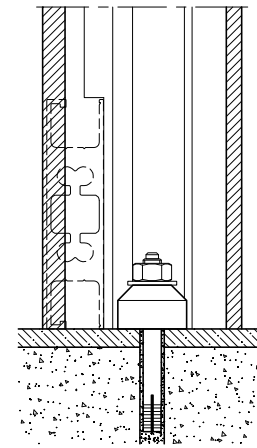
Adjacent Construction Not to Bear Down on any Part of Revolving Door.

Standard Door Sizes

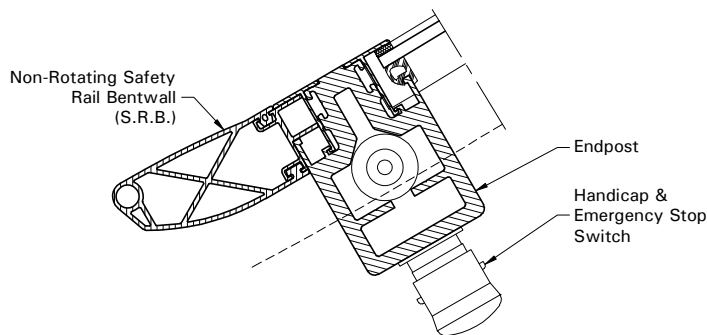
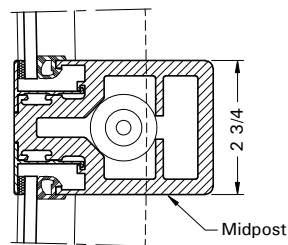
Nominal Diameter	Inside Diameter "A"	Outside Netframe "B"	Throat Opening "C"
12'-0"	11'-9 11/16" [3600MM]	12'-5 3/4"	5'-2 1/2"
14'-0"	13'-9 5/16" [4200MM]	14'-5 3/8"	6'-2 5/16"
16'-0"	15'-9" [4800MM]	16'-5"	7'-2 1/8"



③ Vertical Sections



⑤ Post Anchor Detail



④ Horizontal Sections