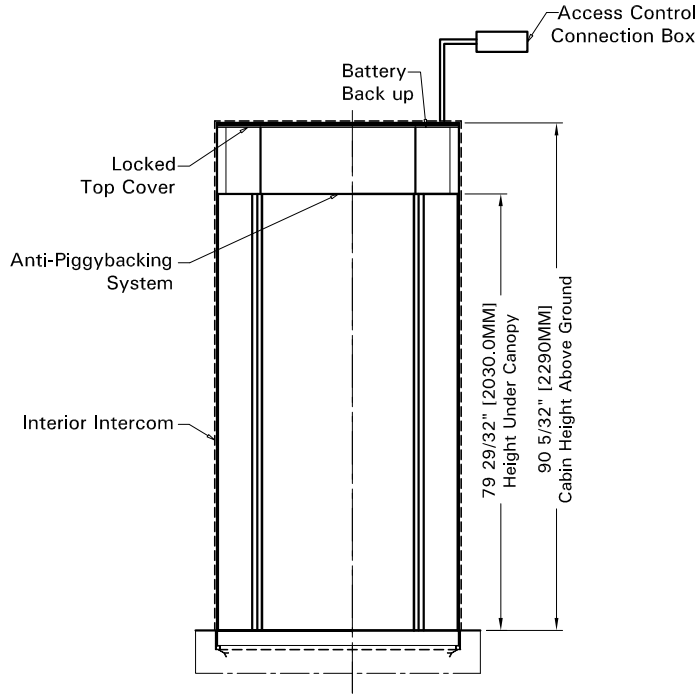
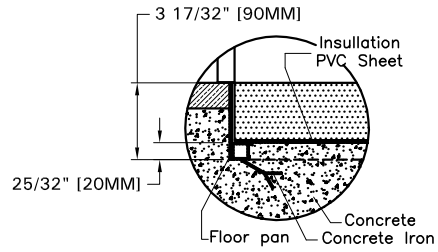


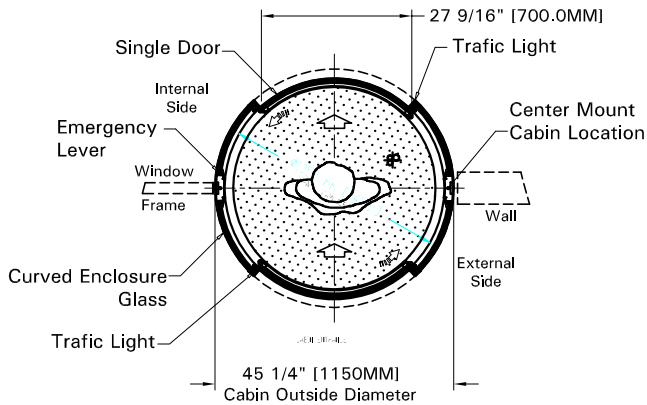
# TAP-150(2W) SINGLE ENTRY SECURITY PORTAL



② Front Elevation



Floor Pan Detail



### Options:

- SEP-SPALC, Side panel Alcove for Access Control System Equipment / standard.
- SEP-SPALCL, Side Panel Alcove for Access Control System Equipment / large.
- SEP-IHKB, Interior Horizontal Access Control housing / bracket.
- SEP-IVKB, Interior Vertical Access Control housing - bracket.
- SEP-FMDC, Metal Detector columns.
- SEP-MDCF, Metal Detection CEIA O2PN8 CF.
- SEP-FK100, Floor Installation Kit (pan for recessed installed portal).
- SEP-STC100, Satin Stainless Steel Top Cover..
- SEP-SM100 Surface Mounting (Floor) Track System.
- SEP-BRG100, Bullet resistant glass 26-27 (mm) BR3 - UNI EN 1063, (P6B - UNI EN 1063)

### Installation:

Floor Must be Dead Level.  
Set the Enclosure Base in sealant and anchor securely in place.  
Power Supply from Above.