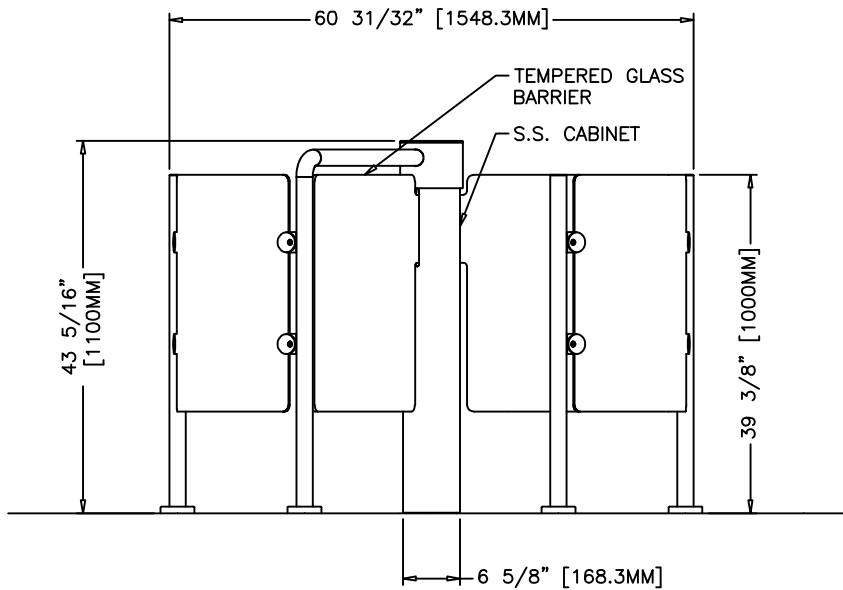


1 Plan View



2 Front Elevation

Installation:

Turnstile installs on Finish Floor (Underground wiring conduits required).
Floor Must be Dead Level.
Power Supply from Floor.
Turnstile is Free-standing (No vertical Structural support is Required).