

GENERAL NOTES:

TRILOCK-60 AVAILABLE AS:

- MECHANICAL UNIT
- ONE DIRECTION ELECTRICALLY CONTROLLED
- TWO DIRECTIONS ELECTRICALLY CONTROLLED

OPTIONAL PLATFORM AND RAILING AVAILABLE.
OPTIONAL POWDERCOATING AVAILABLE.

ELECTRICAL NOTES:

POWER SERVICE OPTIONS:

1. 24 VDC
2. 110 VAC SINGLE PHASE
3. 220 VAC SINGLE PHASE 50/60HZ
4. 220 VAC DUAL PHASE 50/60HZ

15A MAINS SERVICE REQ'D

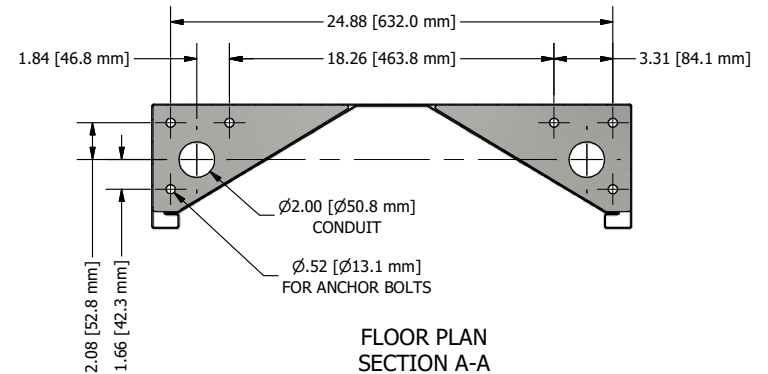
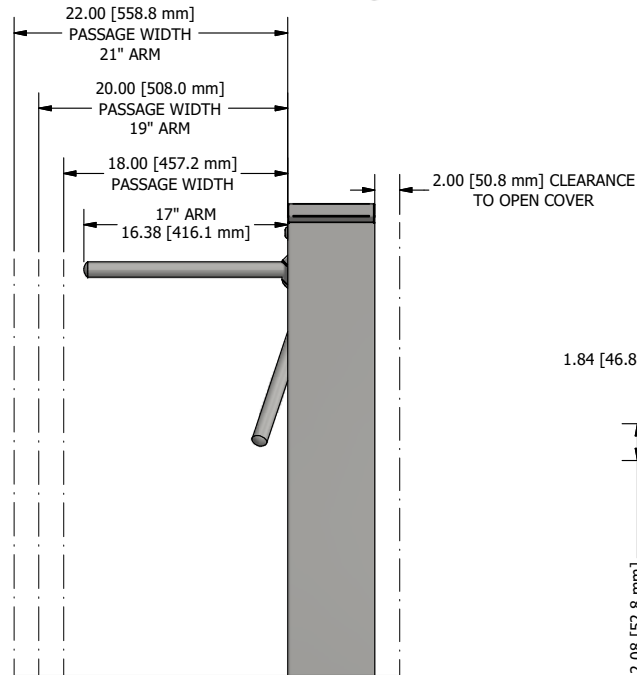
AUTHORIZATION, FIRE ALARM REQUIRES DRY CONTACT FROM ACCESS CONTROL.

CODED NOTES:

1. TOP COVER - STAINLESS STEEL
2. CABINET - STAINLESS STEEL
3. ACCESS DOOR - STAINLESS STEEL
4. ARM - STAINLESS STEEL Ø1-1/4" 16GA. (3) TYP
5. COVER LOCK
6. HUB - ANODIZED ALUMINUM
7. CONCEALED HINGES

PASSAGE WIDTH & ARM LENGTH		
PASSAGE WIDTH	ARM LENGTH	TRUE ARM LENGTH
18"	17"	16.38
20"	19"	18.38
22"	21"	19.38

*316SS-18" PASSAGE (17" ARM) ONLY



FLOOR PLAN
SECTION A-A
SCALE 1:7

