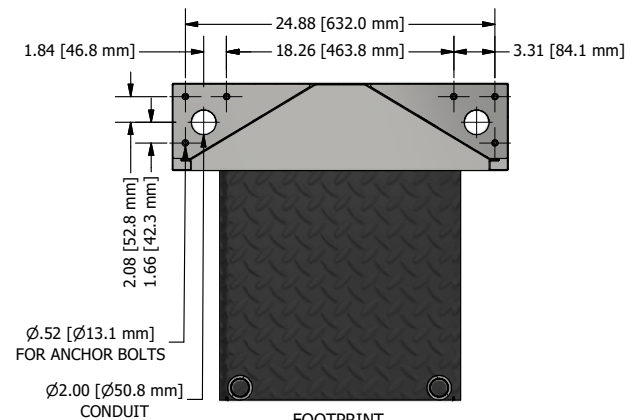
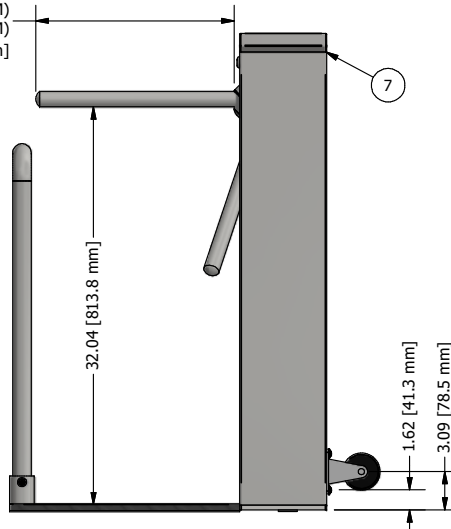
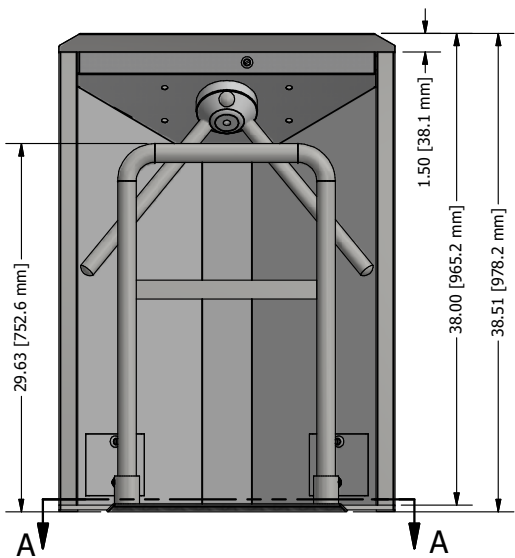


OPTION: 22" PASSAGE (21" ARM)
 OPTION: 20" PASSAGE (19" ARM)
 18" PASSAGE (17" ARM)
 15.94 [404.8 mm]



GENERAL NOTES:
TRILOCK-60 WITH PLATFORM AND WHEELS

- 17" ARM SHOWN - 19" & 21" ARMS AVAILABLE
- RIGHT HAND OR LEFT HAND
- ONE OR TWO DIRECTIONS ELECTRICALLY CONTROLLED
- MECHANICAL UNIT

OPTIONAL POWDERCOATING AVAILABLE

ELECTRICAL NOTES:

POWER SERVICE OPTIONS:

1. 24VDC
2. 110 VAC SINGLE PHASE
3. 220 VAC SINGLE PHASE 50/60HZ
4. 220 VAC DUAL PHASE 50/60H

15 MAINS SERVICE REQ'D
 AUTHORIZATION, FIRE ALARM REQUIRES
 DRY CONTACT FROM ACCESS CONTROL

CODED NOTES:

1. TOP COVER - #4 STAINLESS STEEL
2. CABINET - #4 STAINLESS STEEL
3. ACCESS DOORS (2) TYP - #4 STAINLESS STEEL
4. ARM - STAINLESS STEEL n1-1/4" 16GA. (3) TYP
5. COVER LOCK
6. HUB - POWDERCOATED ALUMINUM
7. CONCEALED HINGE
8. PLATFORM
9. FILLER RAIL
10. WHEELS

FOOTPRINT
 SECTION A-A
 SCALE 1 : 10