

GENERAL NOTES:

- TRILOCK-75CA:
 • ONE DIRECTION ELECTRICALLY CONTROLLED
 • TWO DIRECTIONS ELECTRICALLY CONTROLLED

OPTIONAL PLATFORM AND RAILING AVAILABLE
 OPTIONAL POWDERCOATING AVAILABLE

ELECTRICAL NOTES:

- POWER SERVICE OPTIONS:
 1. 24VDC
 2. 110 VAC SINGLE PHASE
 3. 220 VAC SINGLE PHASE 50/60HZ
 4. 220 VAC DUAL PHASE 50/60H

15 MAINS SERVICE REQ'D

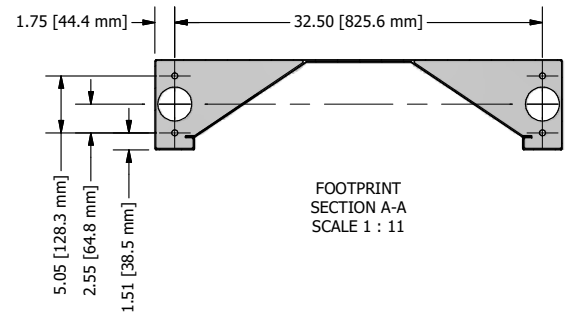
AUTHORIZATION, FIRE ALARM REQUIRES DRY CONTACT FROM ACCESS CONTROL

CODED NOTES:

- TOP COVER - STAINLESS STEEL
- CABINET - STAINLESS STEEL.
- ACCESS DOORS (2) TYP.
- ARM - STAINLESS STEEL Ø1-1/4" 16GA. (3) TYP.
- COVER LOCK
- HUB - POWDERCOATED ALUMINUM.
- CONCEALED HINGE

PASSAGE WIDTH & ARM LENGTH		
PASSAGE WIDTH	ARM LENGTH	TRUE ARM LENGTH
19.5"	17"	17.44
20.5"	18"	18.44
22"	20"	19.70

*316SS-18" PASSAGE (17" ARM) ONLY



FOOTPRINT SECTION A-A
SCALE 1 : 11

COLLAPSIBLE ARM IN POWER FAIL OR EMERGENCY POSITION