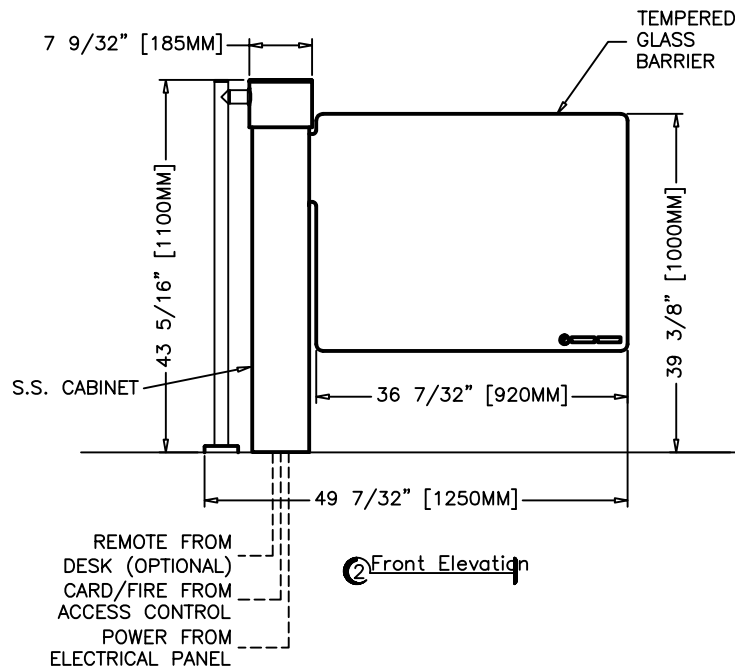


SECURED SIDE



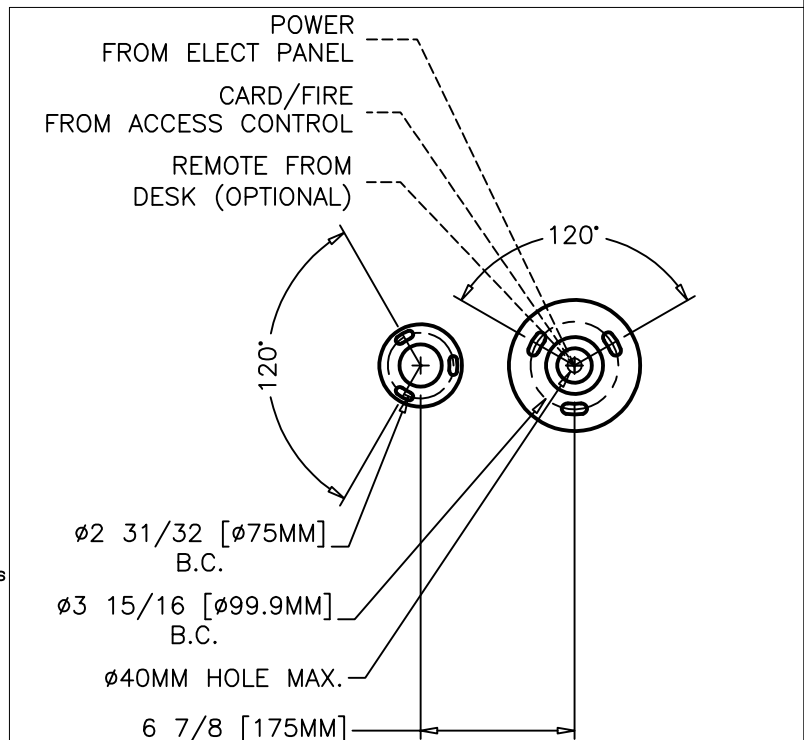
NON SECURED SIDE

① Plan View



② Front Elevation

MOUNTING FOOTPRINT



Installation:

Turnstile Installs on Finish Floor (Underground wiring conduits required).
Floor Must be Dead Level.
Power Supply from Floor.
Turnstile is Free-standing (No vertical Structural support is Required).