

Speedlane Swing



The Speedlane Swing, part of the Lifeline series, is the slimmest optical turnstile, combining customizability with high design and security for accurate tailgating and piggybacking protection.

The Speedlane Swing has been designed to the highest standards, ahead of industry trends:

- Using unique sensors which detect visitors approaching
- Sleep function to save energy
- Pulsing light strips to guide the user
- Intuitive and proven symbols to make it user friendly
- Ergonomic design for customer comfort
- Customization possibilities in fitting with interior design
- Premium quality materials
- Conforms to UL standards 325 & 2593 and CSA C22.2



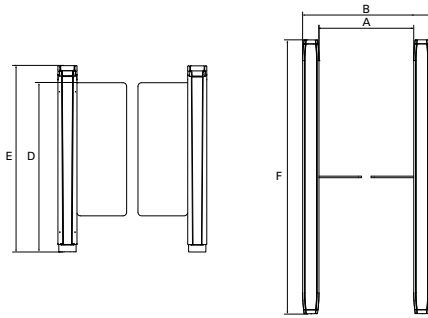


Dimensions and Specifications

Type	A Passage Width	Capacity / Minute*	# of Barriers	Disabled Access	Type of Traffic	B Overall Width	D Barrier Height	E Unit Height	F Unit Length
Standard	24-1/4", 32"	25-30	2	x		32-1/2"	37"	40-3/4"	69-7/8"
High	24-1/4", 32"	25-30	2	x		38-3/8"	47-1/4" **	40-3/4"	69-7/8"
Wide	36"	25-30	2			44-3/8"	37"	40-3/4"	69-7/8"
High & Wide	36"	25-30	2			50-1/4"	47-1/4" **	40-3/4"	69-7/8"

* Depending on access control system, in one direction

** Max height = 70-7/8"



BoonTouch

Boon Edam offers a universal control panel that can operate up to six different security access solutions from a reception or security desk. Its user friendly, touchscreen interface allows for each solution to be operated separately or simultaneously and displays individual lane alarms with intuitive icons.

Technical Specifications

Power Supply: 110-240 VAC, 50/60 Hz

Power Consumption

Operating: 80W

Stationary: 60W

Sleep Mode: 40W

Ambient Temperature: 5°F to +122°F

Weight: 440 lbs (200 kg)

Customization

The Speedlane Swing is available with the widest selection of dimensional and glass choices. Whether it's for a higher security level or disabled access, every combination is possible. Due to its slim form, an almost invisible gateway is created, instantly giving an air of sleek design. Whether making a statement, fitting with corporate identity colors or creating a harmonious interior design, the Speedlane Swing can be customized to the latest design trends, offering the opportunity to blend-in or stand-out from its surroundings.