

# TAP 50



**BOON EDAM**

**This half portal uses quality design and state-of-the-art technology to convert an existing swing door into a high security entrance that eliminates tailgating and piggybacking. Available with bullet resistant glass and either uni-directional or bi-directional electric controls to provide an uncompromising security solution.**

**Options**

- Access control housing
- Emergency lever / 90° pull-handle
- Stainless steel construction

All Boon Edam secured entry solutions can easily be integrated with virtually any access control system.

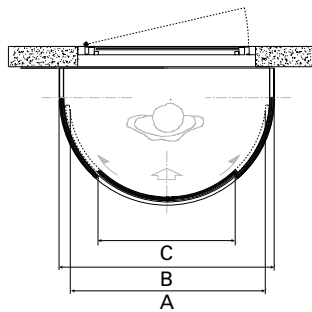
 *your entry experts*



## Dimensions and Specifications

Capacity Minute*	Type of Traffic	Emergency Exit	A Interior Width	Interior Height	B Exterior Width	Exterior Height Width	C Cabin Entrance
6-8		x	48.03"	81.10"	54.37"	91.54"	35.43"

\* Depending on access control system, in one direction



## Features and Options

Characteristics	Standard	Option
Anti-piggybacking & anti-tailgating	•	
Remote control panel	•	
Battery backup (2 hours)	•	
Interior call button / intercom	•	
Emergency release	•	
Two-zone presence mat	•	
Surface mount track system	•	
Locked top cover	•	
Bi-parting doors	•	
Access control housing		•
Emergency lever / 90° pull-handle		•
Stainless steel construction (clad)		•
Stainless steel top cover		•

## Emergency Egress

The TAP 50 is always equipped with a manual release for opening the exterior non-secure door in the event of mechanical failure or emergency. The TAP 50 is equipped with a battery back-up to maintain continuous use for up to 2 hours. (Escape route requirements are subject to local regulations.)

## Technical Specifications

Power Supply:	110 VAC, 60 Hz 24 VDC with 2 backup batteries
Battery Operation:	2 hours continuous duty
Motors:	One 24 VDC